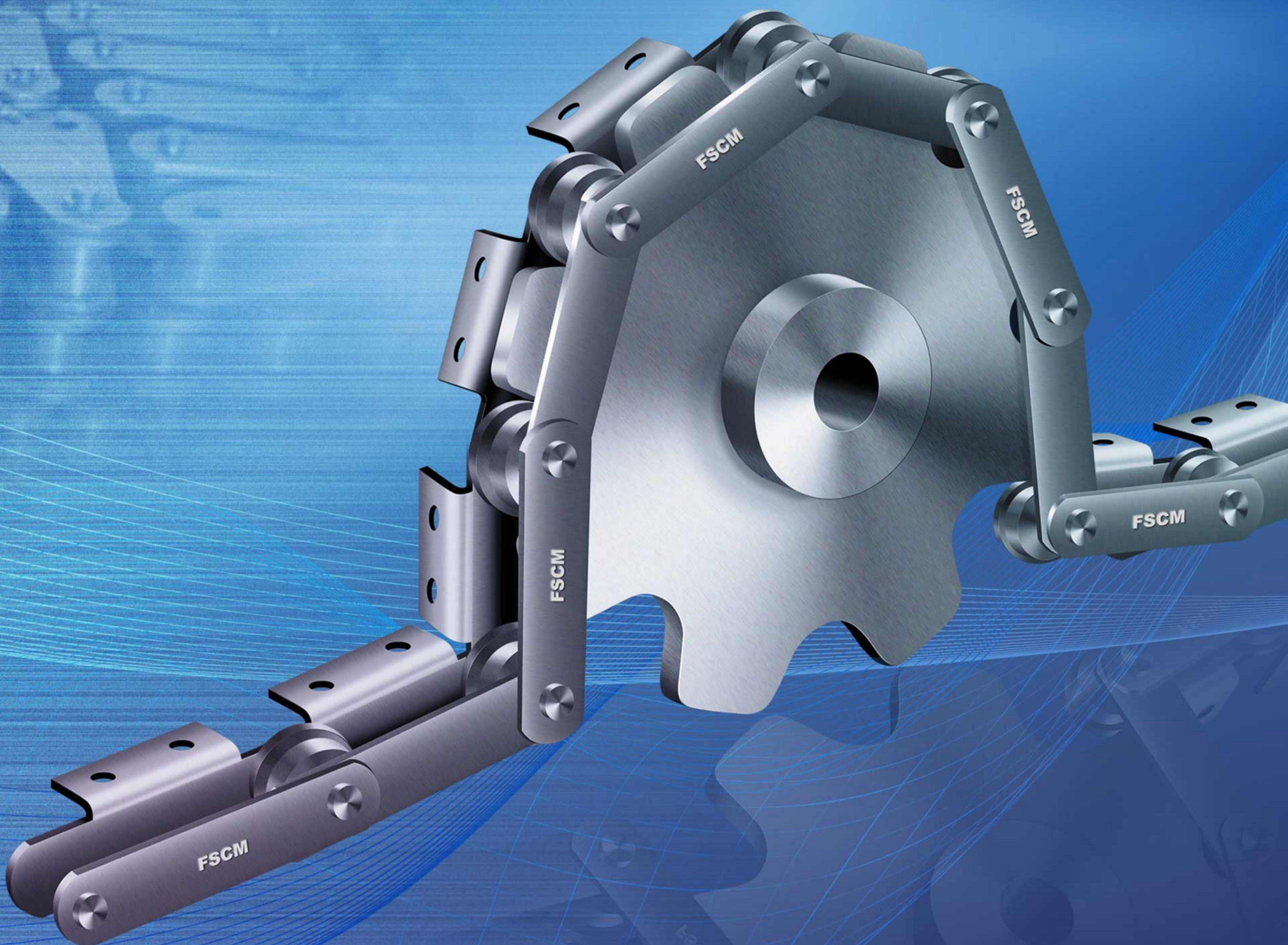
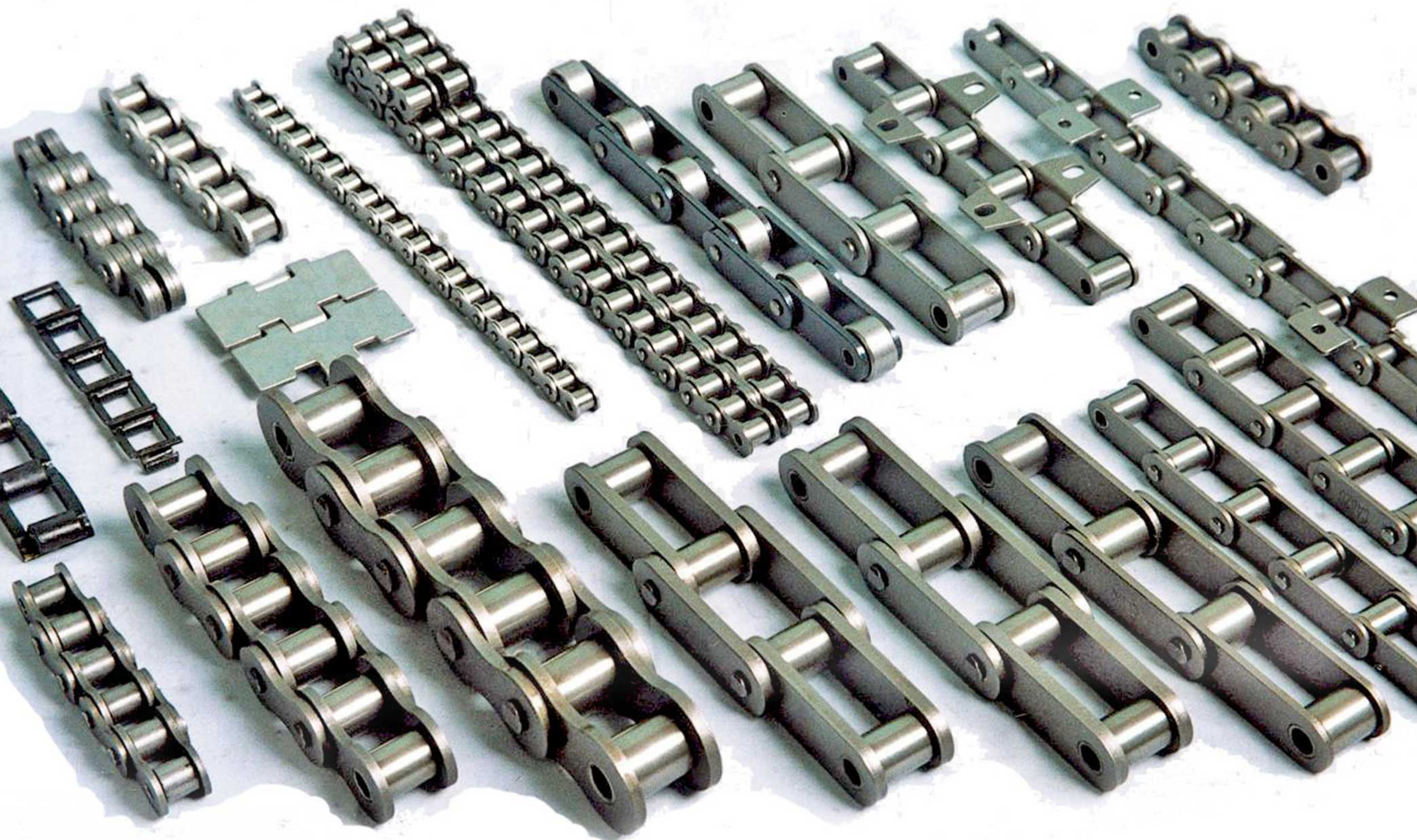


GATALOGUE

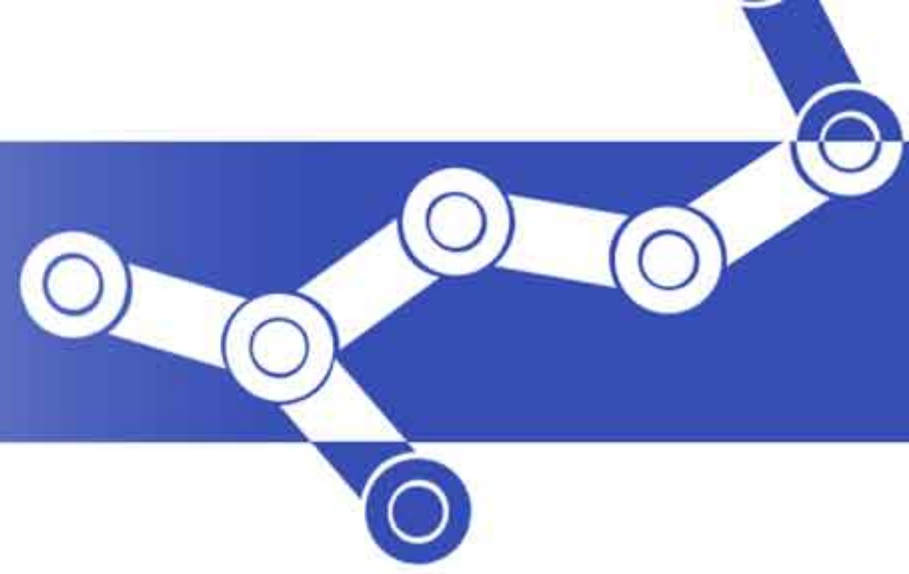
FSCM POWER TRANSMISSION & CONVEYOR CHAIN





PT. FSCM MANUFACTURING INDONESIA

CONTENT



 INTRODUCTION	FSCM 001
 PRODUCT GUIDE	FSCM 002
 CONVEYOR CHAIN SELECTION	FSCM 006
 STANDARD CONVEYOR CHAIN	FSCM 008
 CONTINUOUS FLOW CONVEYOR CHAIN	FSCM 014
 FLAT TOP COIL CONVEYOR CHAIN	FSCM 016
 PALM OIL CHAIN	FSCM 017
 SUGAR MILL CHAIN	FSCM 018



INTRODUCTION

WORLD QUALITY INDUSTRIAL CHAINS

We are the specialists in manufacturing transmission and conveyor chains for a wide spectrum of applications for various industries, including the motorcycle industry.

In addition to the standard products featured in this catalogue, we also design products which are tailored to our customer's specific needs.

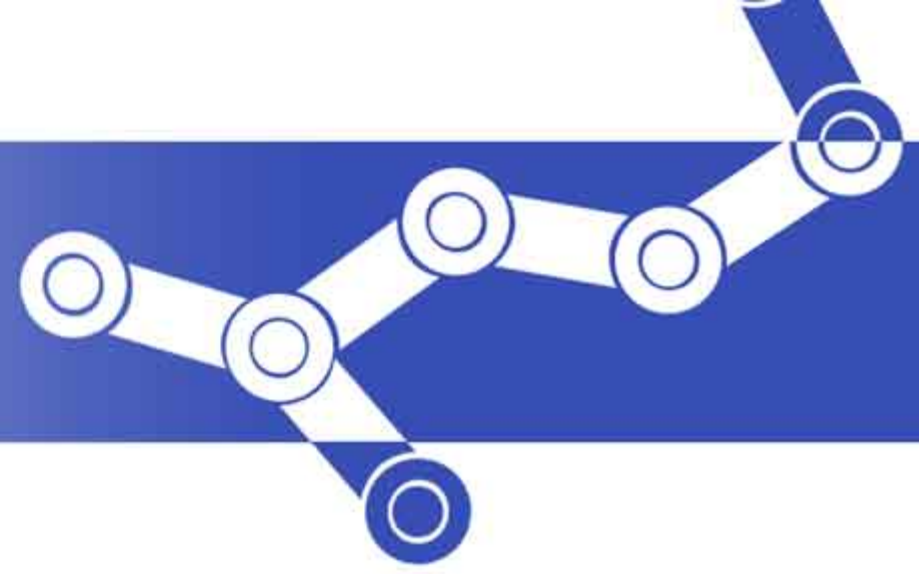
In our industrial sites at the Pulogadung Industrial Estates in Jakarta we have reliable technology and human resources capable of manufacturing high quality chains. Thanks to our strict quality control, we have managed to ensure that our products are truly useful and reliable.

FSCM chains are widely marketed at home and abroad, of which we have gained remarkable international recognition.

It is our firm objective to offer solutions and bring satisfaction to our customers there are not hesitate to contact us if further information is needed

This catalogue contains a comprehensive information on product categories, types of chains, and other specifications. We hope it will serve its purpose as your product guide.

PRODUCT GUIDE



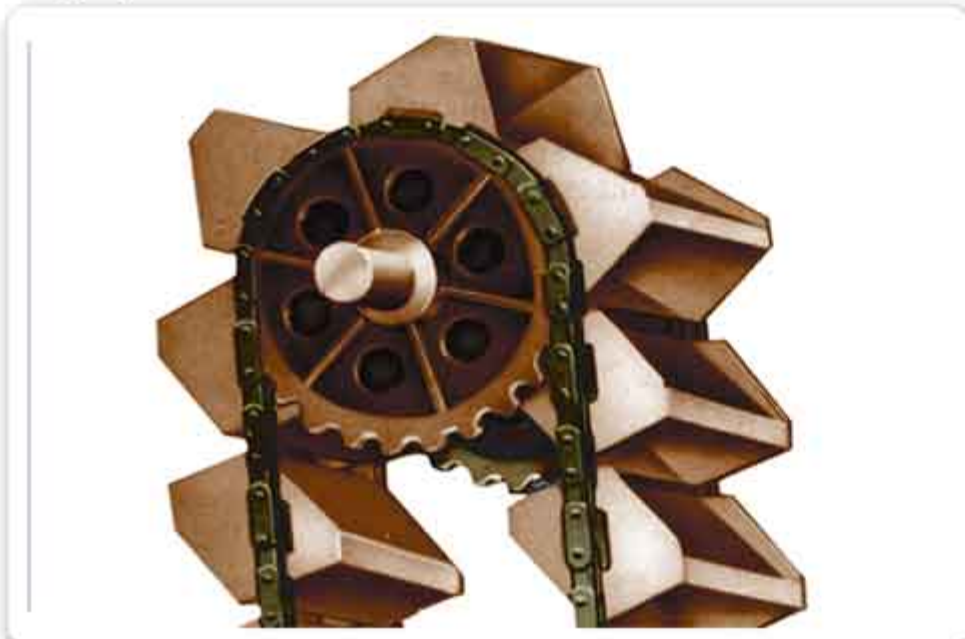
Slat conveyor



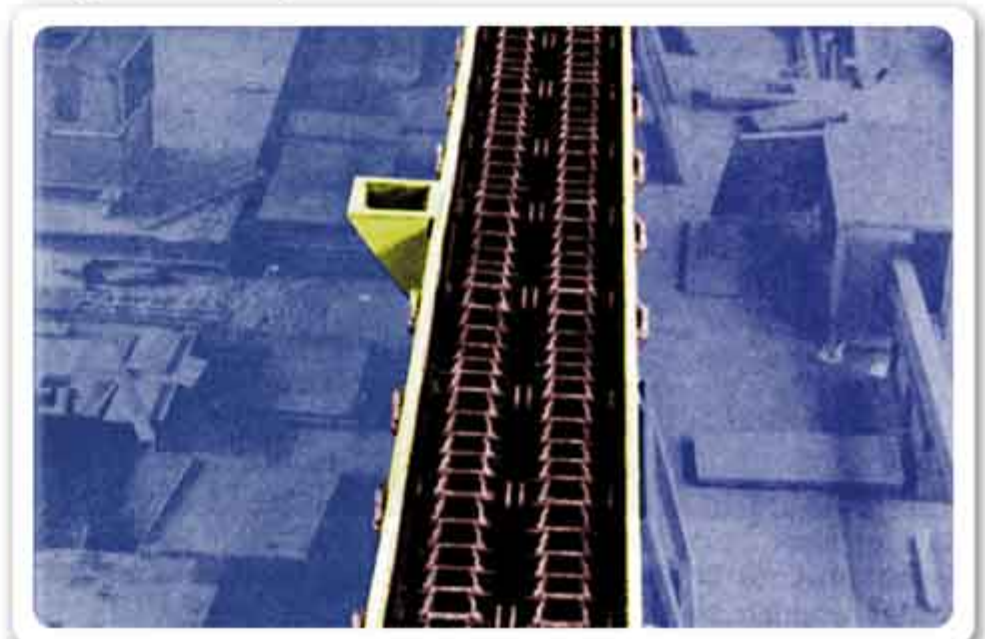
Long pan conveyor



High-speed bucket elevator



Drag chain conveyor



Scraper conveyor



Continuous flow conveyor



PRODUCT GUIDE



WHY CHAIN CONVEYOR

THE CONVEYOR IS PROBABLY THE BEST MEAN TO THE ESSENTIAL GOAL OF EVERY INDUSTRY TO ENHANCE PRODUCTION FOR THE IMPROVEMENT OF PRODUCTS AND MATERIAL HANDLING SYSTEM

THE CONVEYOR IS MOST ADVANTAGEOUS FOR FACTORY AUTOMATION

WE PRODUCE VARIOUS TYPES OF CHAIN CONVEYOR, SUCH AS FOR IRON AND STEEL MILLS, CEMENT MILLS, CHEMICAL PLANTS, AUTOMOBILE MANUFACTURES, PALM OIL MILL, ETC.

INTRODUCED HERE ARE TYPICAL EXAMPLE SO OF CONVEYOR AND MATERIAL HANDLING SYSTEMS IN WHICH FSCM INDUSTRIAL CHAINS ARE USED.

CONVEYOR CARRYING MATERIAL ON IT

COIL CONVEYOR
SADDLE CONVEYOR
SLAB CONVEYOR
V-PALLET CONVEYOR
SLAT CONVEYOR
LONG PAN CONVEYOR
APPRON CONVEYOR
PAN CONVEYOR

CONVEYOR CARRYING MATERIAL IN CASINGS

CONTINUES FLOW CONVEYOR
DRAD CHAIN CONVEYOR
SCRAPPER CONVEYOR
DUST CONVEYOR

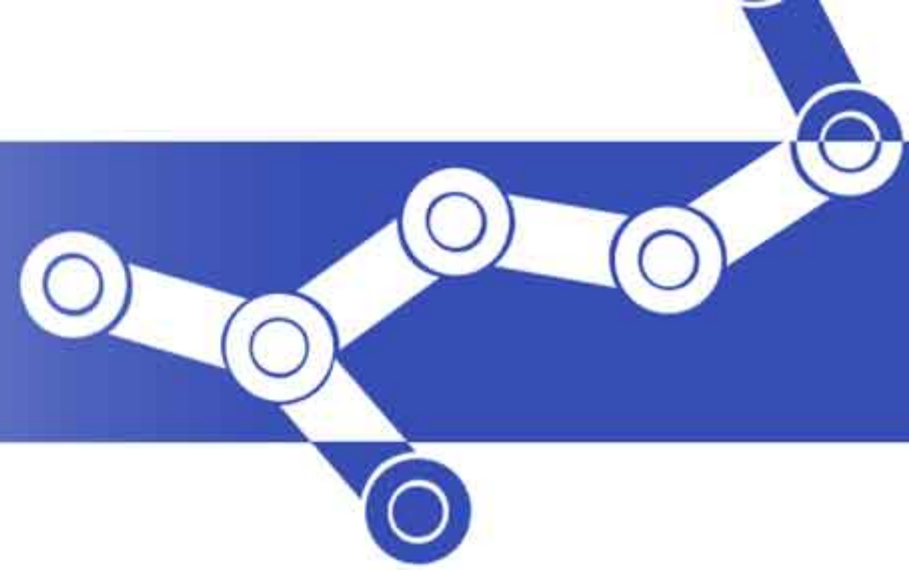
CONVEYOR CARRYING MATERIAL IN BUCKET

BUCKET ELEVATOR
HIGH SPEED BUCKET ELEVATOR

CONVEYOR TOWING CARRIAGE CARTS

CONVEYOR CARRYING MATERIAL SUSPENDED

PRODUCT GUIDE



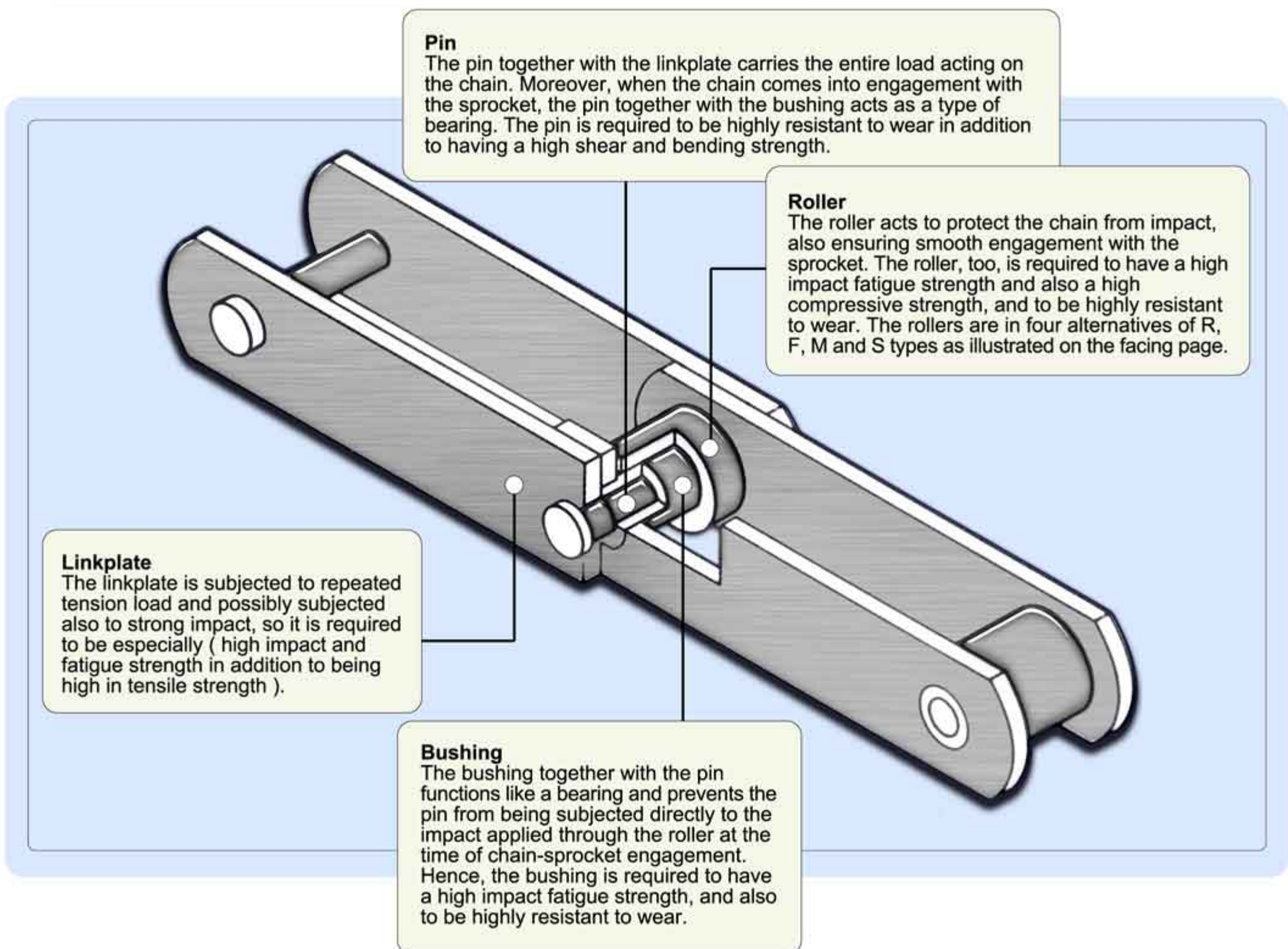
STRONG & SAFE

FSCM CONVEYOR CHAINS ARE REMARKABLY STRONG AND SAFE IN THEIR CAREFUL FACILITIES UNDER STRICTEST QUALITY CONTROL

FSCM CONVEYOR CHAINS ARE UTILIZED IN A WIDE VARIETY OF APPLICATIONS, CONDITIONS, VERY ECONOMICAL THEY ARE ALSO AND SAFE TO OPERATE.

FSCM STANDARD CONVEYOR CHAINS ARE AVAILABLE IN A WIDE RANGE OF APPLICATION WITH HIGH DEGREE WEAR RESISTANCE

CONSTRUCTION



PRODUCT GUIDE

CLASSIFICATION BY TYPES OF CHAINS

HOLLOW BEARING PIN CHAIN

HOLLOW PIN FEATURE OFFERS THE FACILITY FOR
FIX ATTACHMENTS :
IN HIGH TEMPERATURE APPLICATION
IN CLEAN AND DRY CONDITIONS

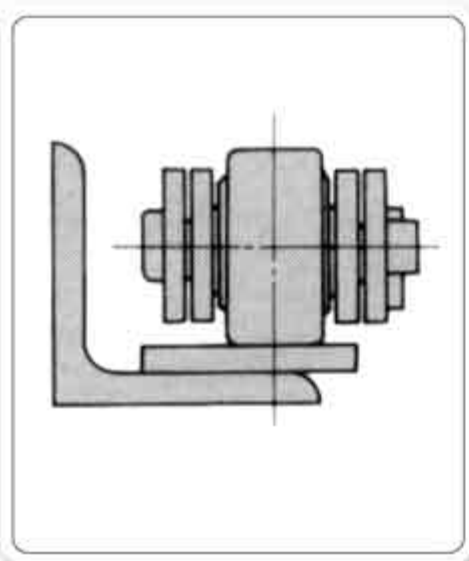
SOLID BEARING PIN CHAIN

RECOMMENDED FOR USE IN HIGH IMPACT LOADING
APPLICATIONS :
IN CORROSIVE ENVIRONMENT
IN LONG CONVEYORS

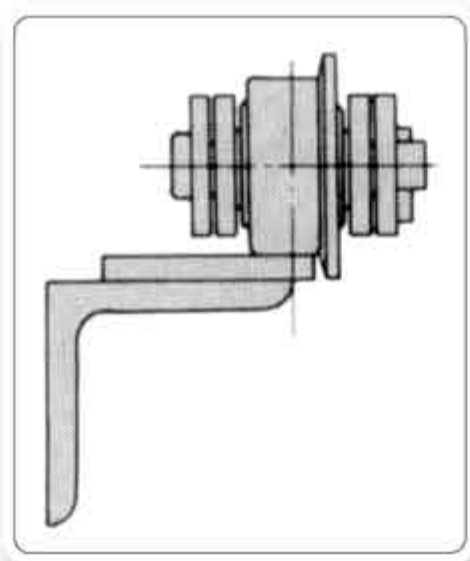
DEEP LINK CHAIN

THIS CHAIN PROVIDES A CONTINUOUS CARRYING EDGE
ABOVE THE ROLLER PERIPHERY

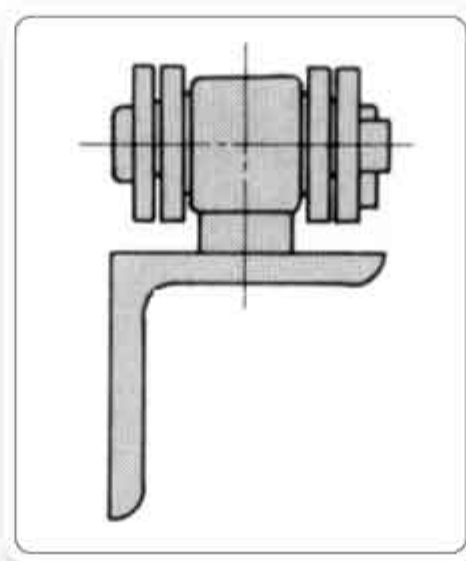
CLASSIFICATION BY TYPES OF ROLLER



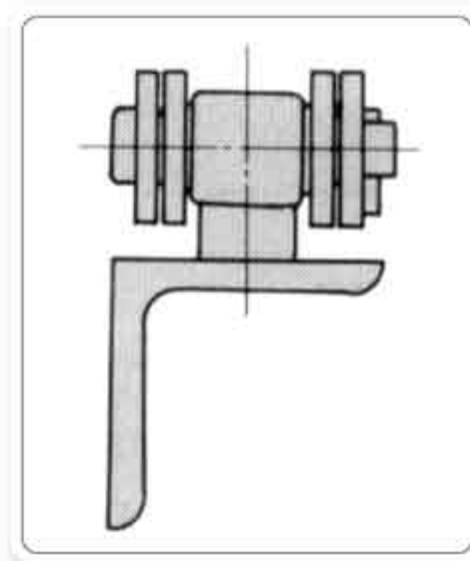
R-ROLLER TYPE



F-ROLLER TYPE

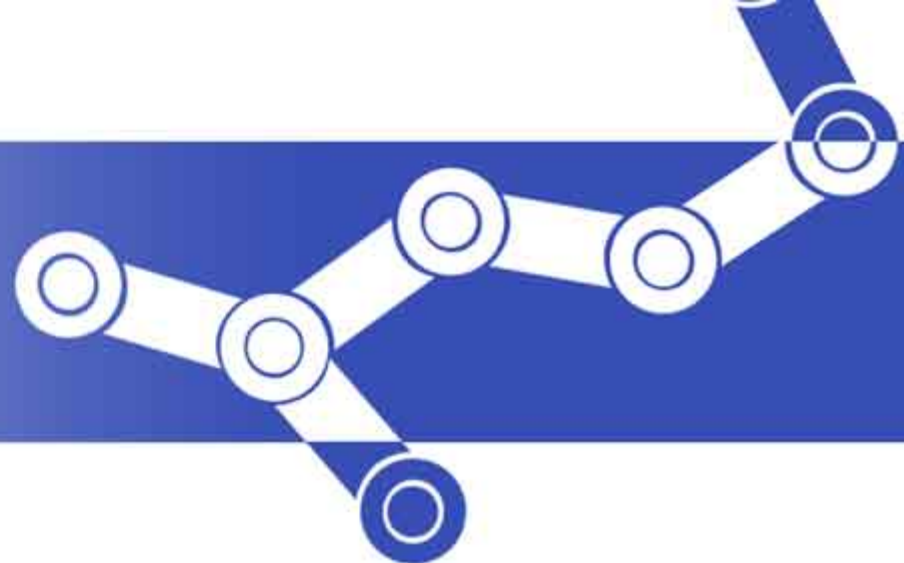


M-ROLLER TYPE



S-ROLLER TYPE

CONVEYOR CHAIN SELECTION



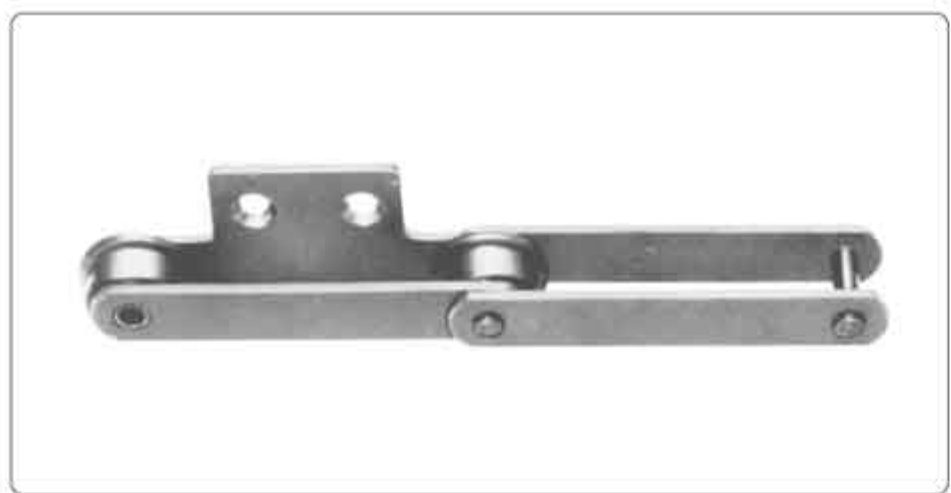
STANDARD ATTACHMENT



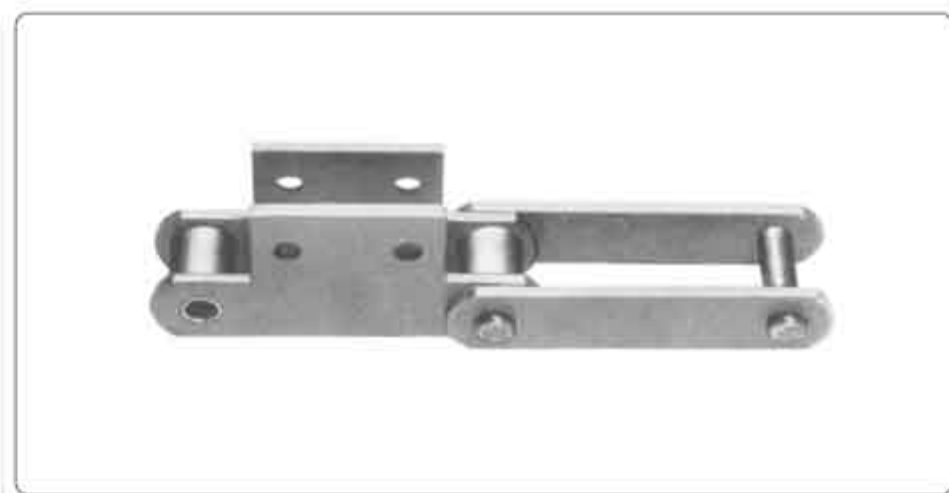
A ATTACHMENT



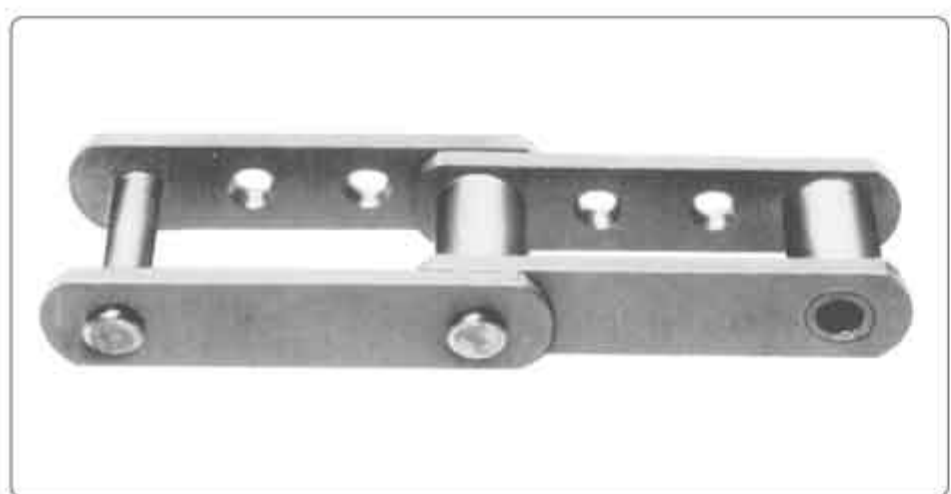
K ATTACHMENT



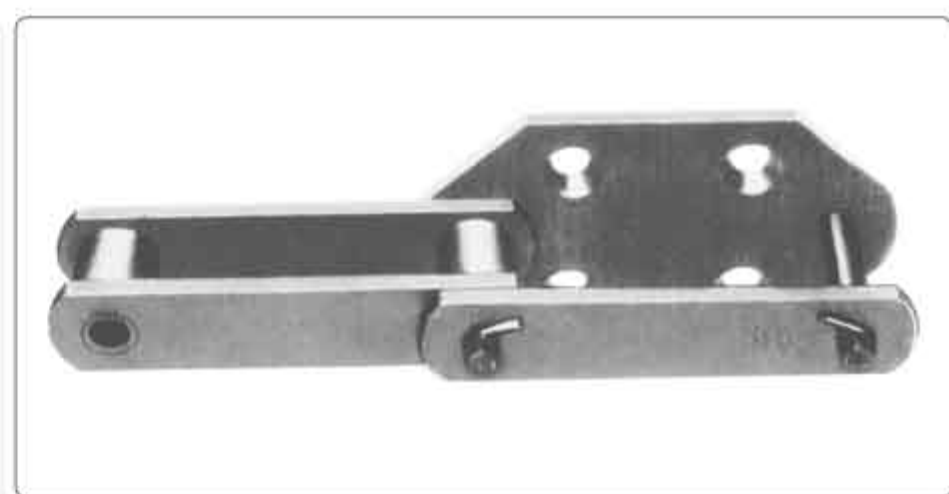
SA ATTACHMENT



SK ATTACHMENT



G2 ATTACHMENT



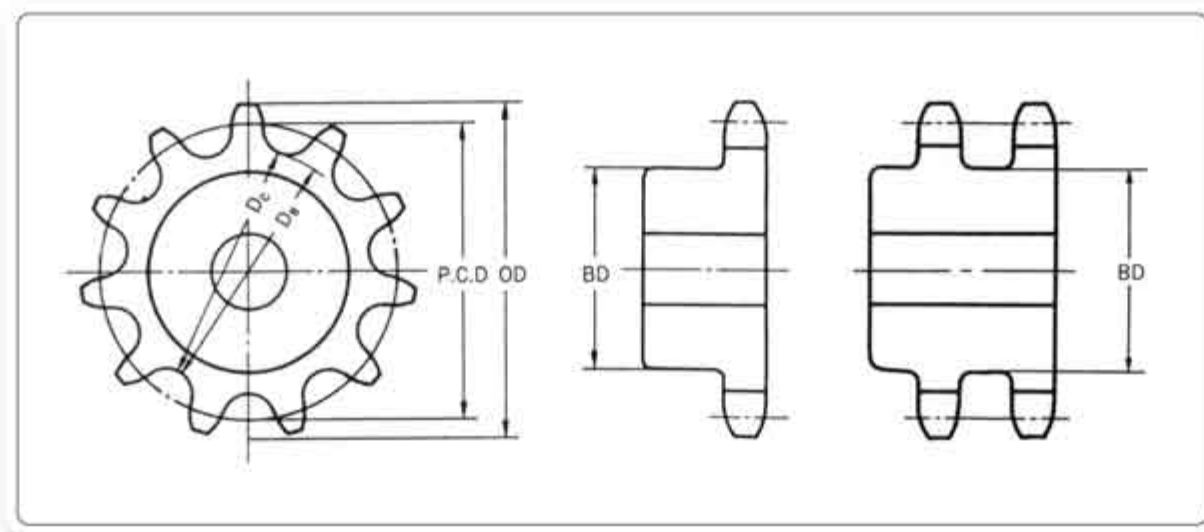
G4 ATTACHMENT

THE ATTACHMENT IS RECOGNIZED BY NUMBER OF HOLES

CONVEYOR CHAIN SELECTION

SPROCKET DIMENSIONS

IT IS RECOMMENDED TO DETERMINE AS MANY TEETH OF A SPROCKET AS POSSIBLE, ACCORDING TO LIMITATION OF SPACE AND OPERATING CONDITIONS TO ENSURE SMOOTH POWER TRANSMISSION AND CONVEYING PROCESSES.



$$N = 1000V / (P \times n)$$

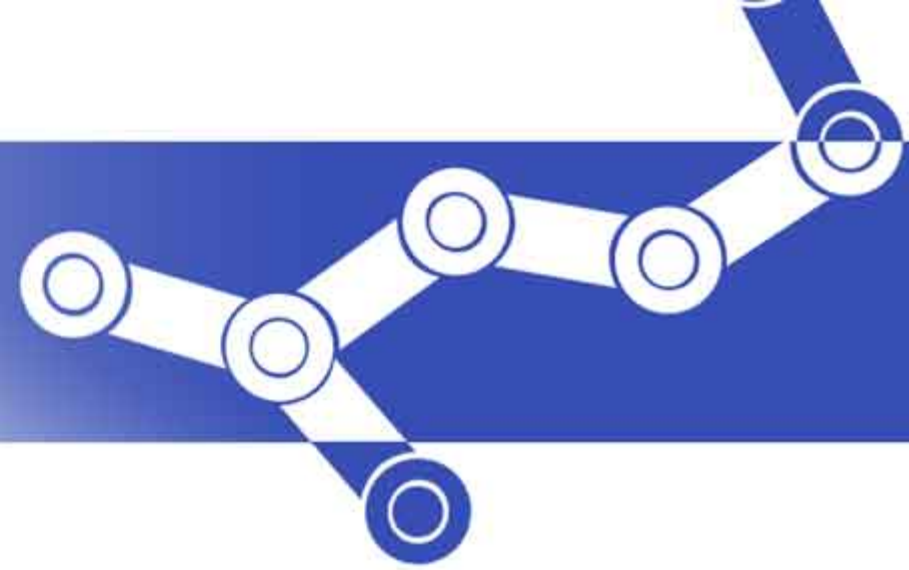
$$P.C.D = P / (\sin 180 \text{ deg}/N)$$

$$OD = P (0.6 + \cot 180 \text{ deg}/N)$$

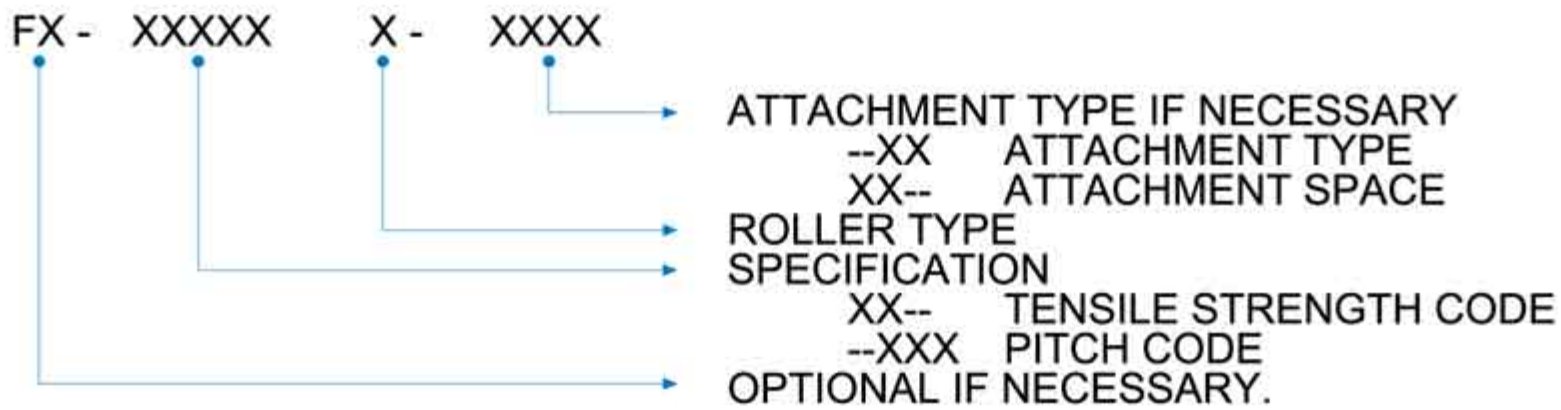
$$Db = P.C.D - Dr$$

N	=	NUMBER OF TEETH OF SPROCKET	
P.C.D	=	PITCH CIRCLE DIAMETER	
OD	=	STANDARD OUTSIDE DIAMETER	(mm)
Db	=	TEETH ROOT DIAMETER	(mm)
P	=	CHAIN PITCH	(mm)
Dr	=	ROLLER OUTSIDE DIAMETER	(mm)
n	=	SPROCKET SPEED	(rpm)
V	=	CHAIN SPEED	(m/min)

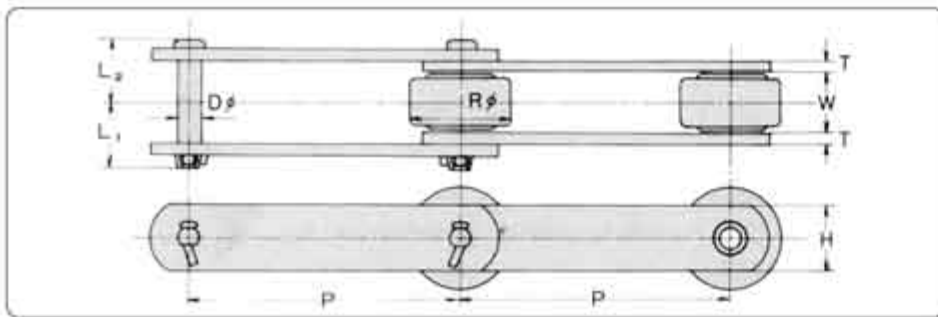
STANDARD CONVEYOR CHAIN



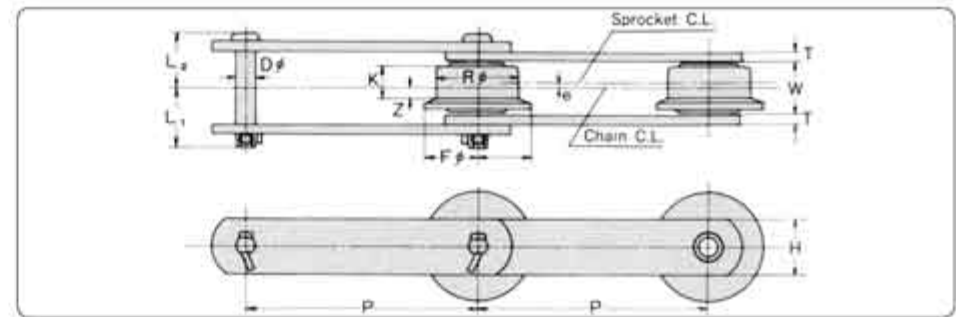
FSCM CHAIN STANDARD NUMBERING SYSTEM



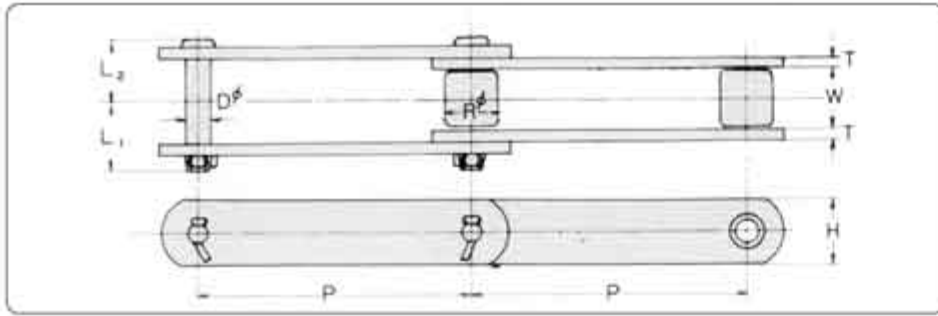
R ROLLER TYPE



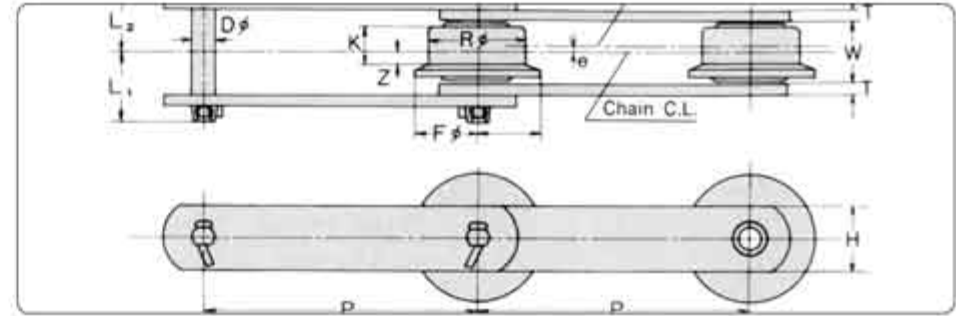
F ROLLER TYPE



S ROLLER TYPE



M ROLLER TYPE



CHAIN PITCH INCH SERIES

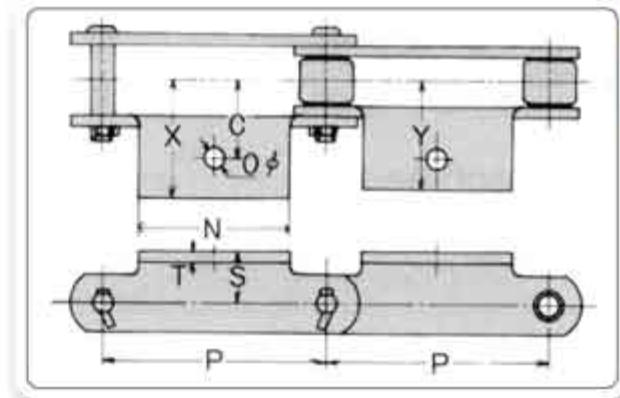
FSCM CHAIN NO.	ROLLER TYPE	TENSILE STRENGTH (kgf)	PITCH (mm)	WIDTH BETWEEN IN-PLATES (mm)	ROLLER TYPE				PIN		LINK PLATE	
					R	F	S	M	OD	LENGTH	THICKNESS	HEIGHT
					R (mm)				D	L1+L2	T	H
F - 05101	R,S,M	5,000	101.6	22.2	38.1	-	20.1	22.2	9.7	50.6	5	25.4
F - 08066	S,M	8,000	66.27	27.6	-	-	22.2	25.4	11.3	65.1	6	28.6
F - 08101	R,S,M	8,000	101.6	27.6	44.5	-	22.2	25.4	11.3	65.1	6	28.6
F - 09101	R,S,M	9,000	101.6	27.6	38.1	-	26.5	28.6	12.7	66.6	6	32
F - 11152	R,F,S,M	11,500	152.4	30.8	50.8	50.8	25.8	28.6	11.3	68.3	6	38
F - 13101	R,S,M	13,000	101.6	31	44.5	-	31.8	34.9	15.9	82	8	38
F - 19152	R,F,S,M	19,000	152.4	36.5	57.2	57.2	34.9	38.1	15.9	87.5	8	45
F - 25152	R,F,S,M	25,000	152.4	37.5	69.9	69.9	40.1	44.5	19.1	97.5	9	50

STANDARD CONVEYOR CHAIN

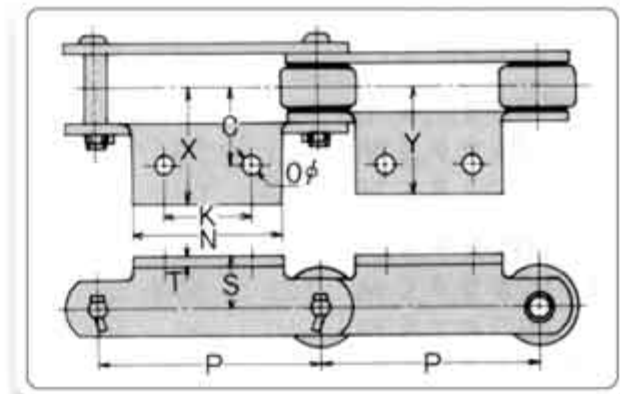
ATTACHMENT

FSCM CHAIN NO.	ROLLER TYPE	P	K	N	S	C	X	Y	T	O	BOLT SET
		(mm)		(mm)	(mm)	(mm)	(mm)	(mm)	(mm)	(mm)	
A1- ATTACHMENT											
F - 08066	S,M	66.27	-	35	24	45	59	62	6	12	M10
F - 08101	R,S,M	101.6	-	41.5	31.8	44.5	62.5	22.2	8	12	M10
F - 11152	R,F,S,M	152.4	-	80	41.5	55.6	73	25.8	10	15	M12
A2- ATTACHMENT											
F - 03075	R,F,S	75	35	60	20	30	47	43	3	10	M8
			100	40	65					(3,2)	
F - 07125		125	50	75	22	35	56	51	4.5		
			150	60	85				(5)		
F - 09100	R,F,S,M	100	40	70	25	40	65	58	6	12	M10
			125	50	80			(55)			
			150	60	90						
F - 11100	R,F,S,M	100	40	70	28	50	76	69	6	12	M10
			125	50	80						
			150	60	90						
			200	80	110						
F - 13150	R,F,S,M	150	60	90	32	60	91	81	8	12	M10
			200	80	110						
F - 19200	R,F,S,M	200	80	120	38	60	82	82	8	15	M12
			250	125	170						
F - 25300		300	180	220	45	75	108	97	9		
F - 32200	R,F,S,M	200	80	120	55	80	118	107	9	15	M12
			250	125	170						
			300	180	220						
* F - 50250	R,F,S,M	250	125	170	70	100	151	136	10	19	M16
			300	180	220						
* F - 65300	R,F,S,M	300	130	180	80	120	173	154	13	24	M20
F - 05101	R,S,M	101.6	40	70	22	40	60	55	4.5 (5)	10	M8
F - 08101	R,S,M	101.6	40	70	28	50	65	73	6	12	M10
F - 09101	R,S,M	101.6	40	70	28	45	63	71	6	12	M10
F - 11152	R,F,S,M	152.4	60	90	32	50	73	66	6	12	M10
F - 13101	R,S,M	101.6	40	80	35	55	85	75	8	15	M12
F - 19152	R,F,S,M	152.4	60	100	38	60	82	82	8	15	M12
F - 25152	R,F,S,M	152.4	60	100	45	65	101	90	9	15	M12
A3- ATTACHMENT											
F - 32450	R,F,S,M	450	140	330	55	80	118	107	9	15	M12
F - 50450	R,F,S,M	450	140	330	70	100	151	136	19	19	M16
F - 50600	R,F,S,M	600	180	410							
F - 65450	R,F,S,M	450	140	330	80	120	173	154	13	24	M20

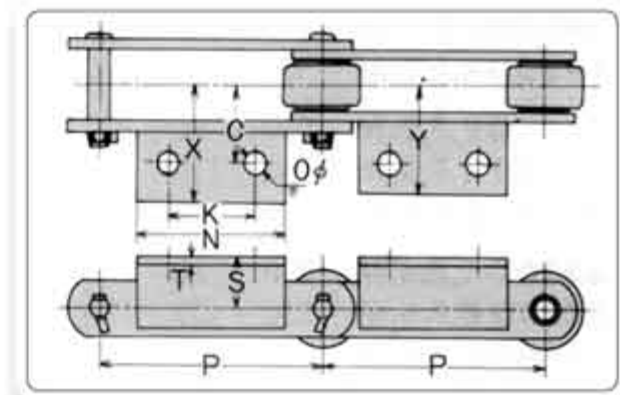
* = THE ATTACHMENT MADE OF L SHAPE STEEL



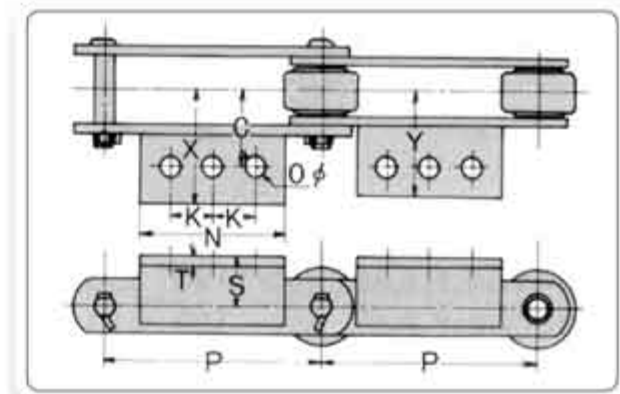
A1 attachment



A2 attachment

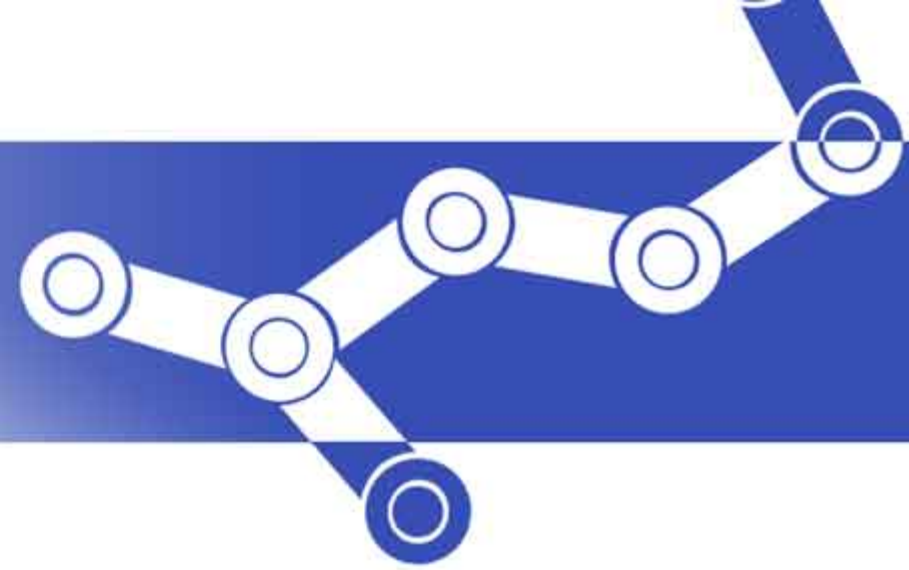


A2 attachment (with L shape steel)



A3 attachment (with L shape steel)

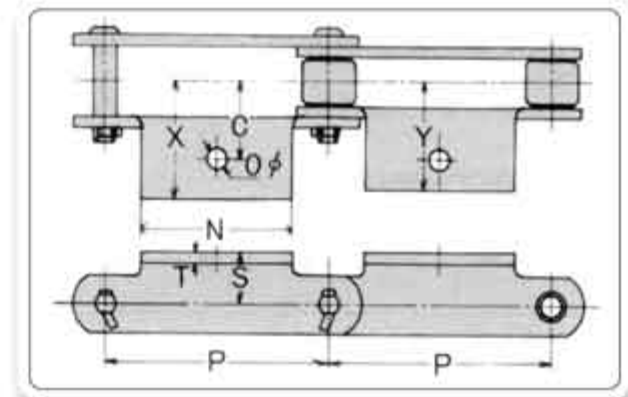
STANDARD CONVEYOR CHAIN



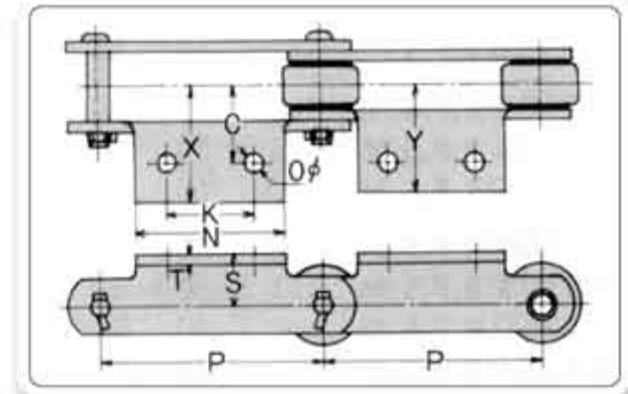
ATTACHMENT

FSCM CHAIN NO.	P	K	N	S	C	X	Y	T	O	BOLT SET	
ROLLER TYPE	(mm)		(mm)	(mm)	(mm)	(mm)	(mm)	(mm)	(mm)	(mm)	
A1- ATTACHMENT											
F - 08066	S,M	66.27	-	35	24	45	59	62	6	12	M10
F - 08101	R,S,M	101.6	-	41.5	31.8	44.5	62.5	22.2	8	12	M10
F - 11152	R,F,S,M	152.4	-	80	41.5	55.6	73	25.8	10	15	M12
A2- ATTACHMENT											
F - 03075	R,F,S	75	35	60	20	30	47	43	3	10	M8
			100	40	65					(3,2)	
F - 07125		125	50	75	22	35	56	51	4.5		
			150	60	85				(5)		
F - 09100	R,F,S,M	100	40	70	25	40	65	58	6	12	M10
			125	50	80			(55)			
			150	60	90						
F - 11100	R,F,S,M	100	40	70	28	50	76	69	6	12	M10
			125	50	80						
			150	60	90						
			200	80	110						
F - 13150	R,F,S,M	150	60	90	32	60	91	81	8	12	M10
			200	80	110						
F - 19200	R,F,S,M	200	80	120	38	60	82	82	8	15	M12
			250	125	170						
F - 25300		300	180	220	45	75	108	97	9		
F - 32200	R,F,S,M	200	80	120	55	80	118	107	9	15	M12
			250	125	170						
			300	180	220						
* F - 50250	R,F,S,M	250	125	170	70	100	151	136	10	19	M16
			300	180	220						
* F - 65300	R,F,S,M	300	130	180	80	120	173	154	13	24	M20
F - 05101	R,S,M	101.6	40	70	22	40	60	55	4.5 (5)	10	M8
F - 08101	R,S,M	101.6	40	70	28	50	65	73	6	12	M10
F - 09101	R,S,M	101.6	40	70	28	45	63	71	6	12	M10
F - 11152	R,F,S,M	152.4	60	90	32	50	73	66	6	12	M10
F - 13101	R,S,M	101.6	40	80	35	55	85	75	8	15	M12
F - 19152	R,F,S,M	152.4	60	100	38	60	82	82	8	15	M12
F - 25152	R,F,S,M	152.4	60	100	45	65	101	90	9	15	M12
A3- ATTACHMENT											
F - 32450	R,F,S,M	450	140	330	55	80	118	107	9	15	M12
F - 50450	R,F,S,M	450	140	330	70	100	151	136	19	19	M16
F - 50600	R,F,S,M	600	180	410							
F - 65450	R,F,S,M	450	140	330	80	120	173	154	13	24	M20

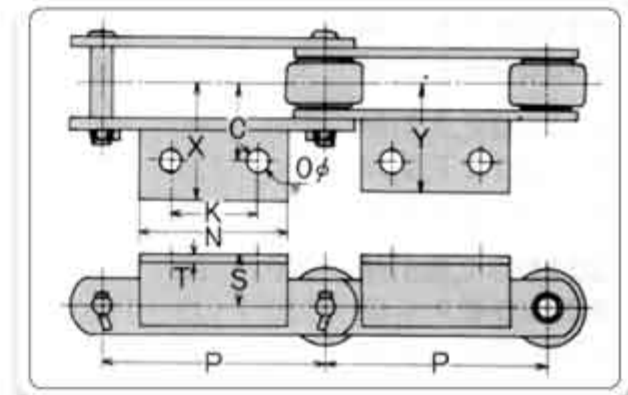
* = THE ATTACHMENT MADE OF L SHAPE STEEL



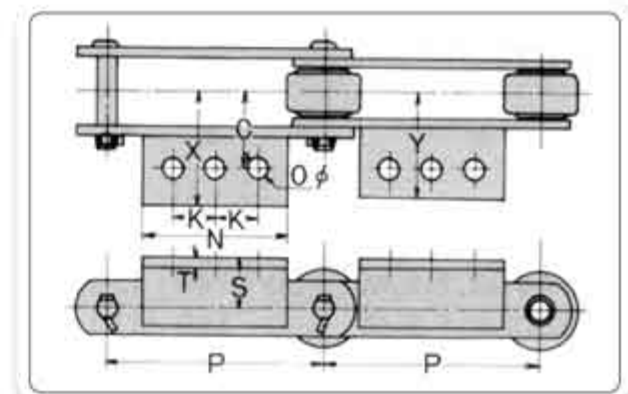
A1 attachment



A2 attachment



A2 attachment (with L shape steel)



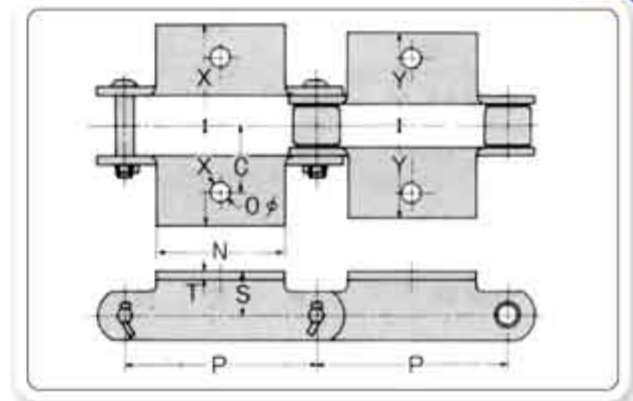
A3 attachment (with L shape steel)

STANDARD CONVEYOR CHAIN

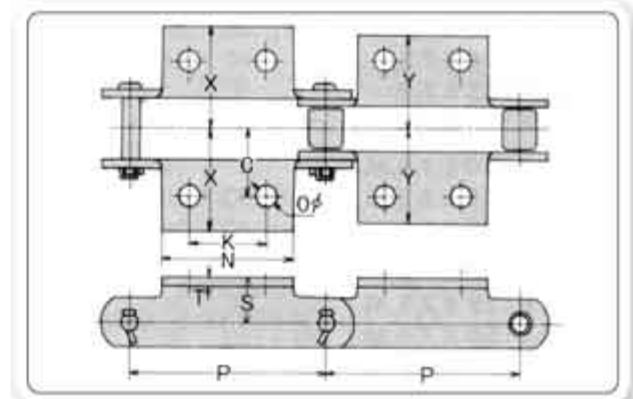
ATTACHMENT

FSCM CHAIN NO.	P	K	N	S	C	X	Y	T	O	BOLT SET	
ROLLER TYPE	(mm)		(mm)	(mm)	(mm)	(mm)	(mm)	(mm)	(mm)	(mm)	
K1- ATTACHMENT											
F - 08066	S,M	66.27	-	35	24	45	59	62	6	12	M10
F - 08101	R,S,M	101.6	-	41.5	31.8	44.5	62.5	22.2	8	12	M10
F - 11152	R,F,S,M	152.4	-	80	41.5	55.6	73	25.8	10	15	M12
K2- ATTACHMENT											
F - 03075	R,F,S	75	35	60	20	30	47	43	3	10	M8
			100	40	65					(3,2)	
F - 07125		125	50	75	22	35	56	51	4.5		(5)
			150	60	85						
F - 09100	R,F,S,M	100	40	70	25	40	65	58	6	12	M10
			125	50	80			(55)			
			150	60	90						
F - 11100	R,F,S,M	100	40	70	28	50	76	69	6	12	M10
			125	50	80						
			150	60	90						
			200	80	110						
F - 13150	R,F,S,M	150	60	90	32	60	91	81	8	12	M10
			200	80	110						
F - 19200	R,F,S,M	200	80	120	38	60	82	82	8	15	M12
			250	125	170						
F - 25300		300	180	220	45	75	108	97	9		
F - 32200	R,F,S,M	200	80	120	55	80	118	107	9	15	M12
			250	125	170						
			300	180	220						
* F - 50250	R,F,S,M	250	125	170	70	100	151	136	10	19	M16
			300	180	220						
* F - 65300	R,F,S,M	300	130	180	80	120	173	154	13	24	M20
F - 05101	R,S,M	101.6	40	70	22	40	60	55	4.5 (5)	10	M8
F - 08101	R,S,M	101.6	40	70	28	50	65	73	6	12	M10
F - 09101	R,S,M	101.6	40	70	28	45	63	71	6	12	M10
F - 11152	R,F,S,M	152.4	60	90	32	50	73	66	6	12	M10
F - 13101	R,S,M	101.6	40	80	35	55	85	75	8	15	M12
F - 19152	R,F,S,M	152.4	60	100	38	60	82	82	8	15	M12
F - 25152	R,F,S,M	152.4	60	100	45	65	101	90	9	15	M12
K3- ATTACHMENT											
F - 32450	R,F,S,M	450	140	330	55	80	118	107	9	15	M12
F - 50450	R,F,S,M	450	140	330	70	100	151	136	19	19	M16
F - 50600	R,F,S,M	600	180	410							
F - 65450	R,F,S,M	450	140	330	80	120	173	154	13	24	M20

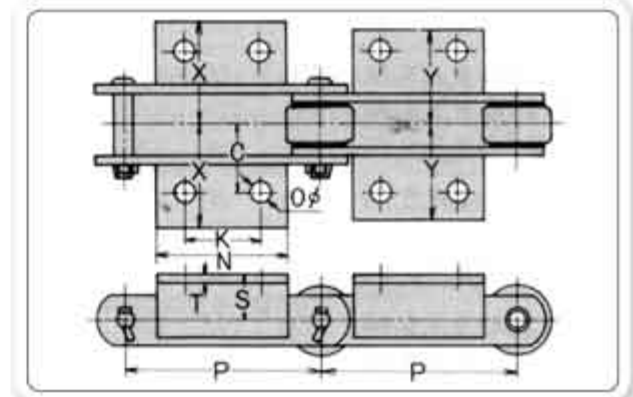
* = THE ATTACHMENT MADE OF L SHAPE STEEL



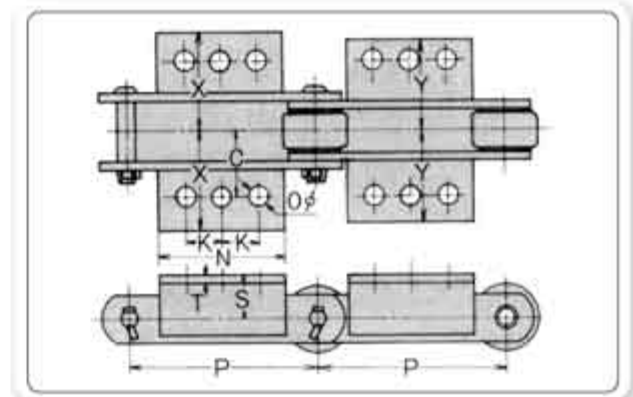
K1 attachment



K2 attachment

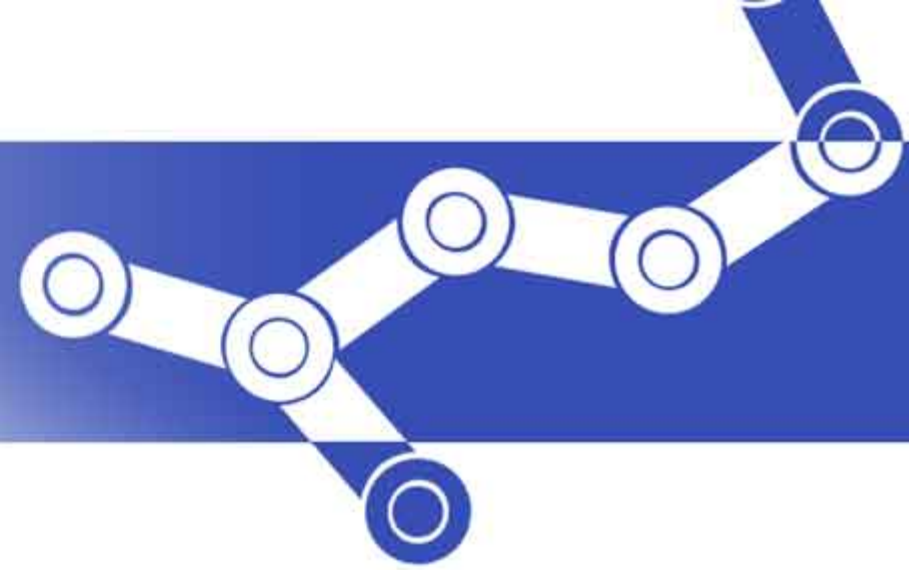


K2 attachment (with L shape steel)



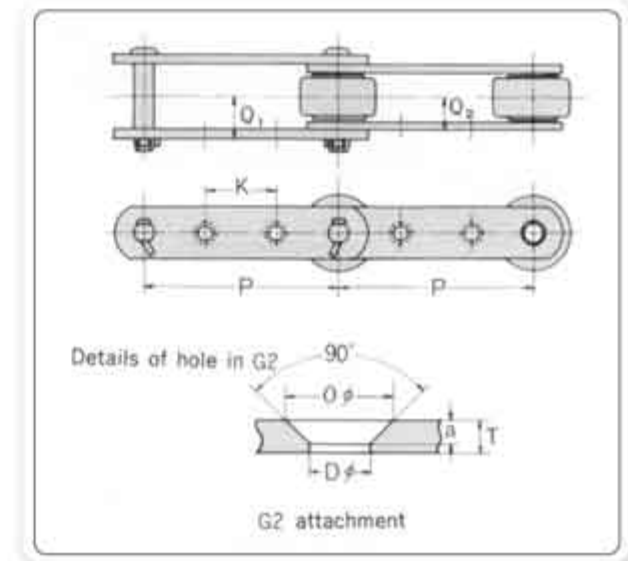
K3 attachment (with L shape steel)

STANDARD CONVEYOR CHAIN



ATTACHMENT

FSCM CHAIN NO.	ROLLER TYPE	P (mm)	K (mm)	D (mm)	a (mm)	T (mm)	Q _{IN} (mm)	Q _{OUT} (mm)	LENGTH OF BOLT		BOLT SET
									INNER LINK	OUTER LINK	
G2- ATTACHMENT											
F - 03075	S	75	32	8	2	3.2	11.5	15	16	23	M6
F - 03100	R,F,S	100	40			(3)					
F - 07100	R,F,S	100 150	34 (40) 60	10	3	5	15.5	20.5	25	35	M8
F - 09100	S,M	100	35	12	5	6	19	26	30	43	M10
F - 09125	R,F,S,M	125	45								
F - 09150	R,F,S,M	150	60								
F - 11100	R,F,S,M	100 125 150 200	35 35 60 80								
F - 13150	R,F,S,M	150 200	45 80	12	5	8	26.5	35.5	40	60	M10
F - 19200	R,F,S,M	200 250 300	80 125 150	14	6.5	8	26.5	35.5	45	63	M12
F - 25200	R,F,S,M	200 250 300	70 110 150	14	6.5	9	35	45.5	60	80	M12
F - 32200	R,F,S,M	200 250 300 450	40 (70) 90 (110) 140 220	14	6.5	9	38	48.5	65	85	M12
F - 50250	R,F,S,M	250 300 450 600	55 (90) 105 (140) 220 300	18	7.5	12	46	60	75	105	M16
F - 65300	R,F,S,M	300 450	80 (120) 200	22	8.5	16	54	72	85	120	M20
F - 05101	R,S,M	101.6	45	10	3	5	16	21	25	35	M8
F - 08101	R,S,M	101.6	35	12	5	6	20	27	30	43	M10
F - 09101	R,S,M	101.6	40	12	5	6	20	27	30	43	M10
F - 11152	R,F,S,M	152.4	60	12	5	6	21.5	28.5	35	49	M10
F - 19152	R,F,S,M	152.4	50	14	6.5	8	26.5	35.5	45	63	M12
F - 25152	R,F,S,M	152.4	35 (55)	14	6.5	9.0	28	38.5	45.0	63.0	M12

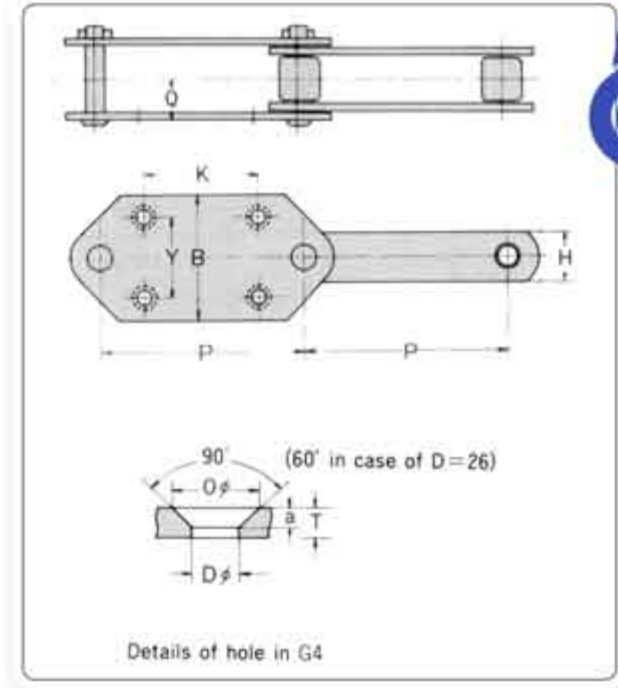


STANDARD CONVEYOR CHAIN

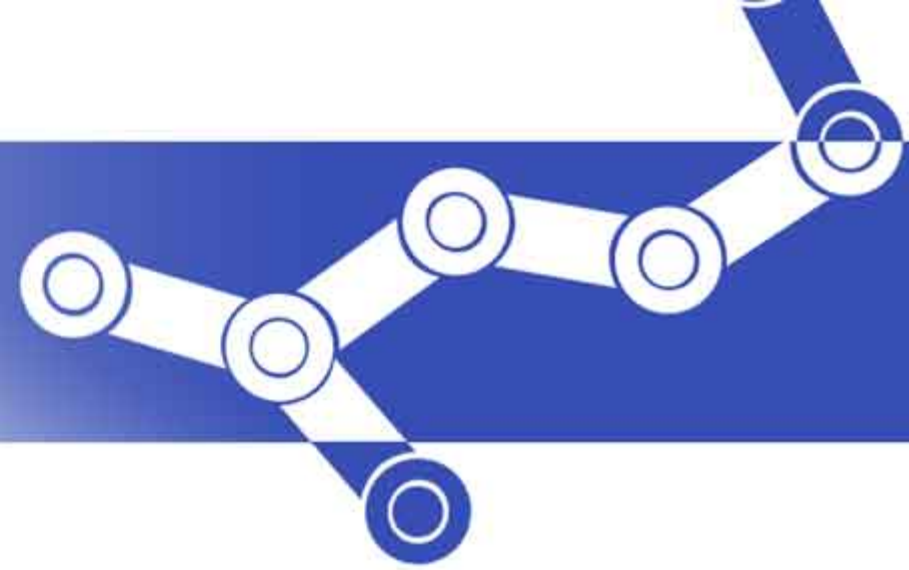
ATTACHMENT

FSCM CHAIN NO.	ROLLER TYPE	P	K	Y	B	D	a	T	Q	BOLT SET
		(mm)	(mm)	(mm)	(mm)	(mm)	(mm)	(mm)	(mm)	(mm)
G4- ATTACHMENT										
F - 19200	R,F,S,M	200 250	100	80	125	14	6.5	8	35.5	M12
F - 25200	R,F,S,M	200 250	100 140	80	125	14	6.5	9	45.5	M12
F - 32200	R,F,S,M	200 250 300	100 140 170	80 100 100	125 150 150	18	7.5	9	48.5	M16
F - 50250	R,F,S,M	250 300	140 170	100	150	18	7.5	12	60	M16
F - 11152	R,F,S,M	152.4	75	70	110	12	5	6	28.5	M10
F - 19152	R,F,S,M	152.4	75	70	110	14	6.5	8	35.5	M12
F - 25152	R,F,S,M	152.4	75.0	70	125	14	6.5	9.0	38.5	M12
G4- ATTACHMENT, EXTRA HEAVY DUTY CHAIN										
F - 35200	M	200	100	80	125	14	6.5	9	45.5	M12
F - 40250		250	140	100	150					
F - 50200	M	200 225 250	100 120 140	80 80 100	125 125 150	18	7.5	9	48.5	M16
F - 60300		300	170	100	150					
F - 75200	M	200 250 300	100 140 170	80 100 100	125 150 150	18	7.5	12	60	M16
F - 95350		350	225	100	150					
F - 100250		250 300	140 170	100 120	150 180	18 22	7.5 8.5	16	72	M16 M20
F - 125350		350	225	120	180	22	8.5			M20
F - 120200	M	250 300 350	140 170 225	120 120 120	180 180 180	18 22 22	7.5 8.5 8.5	16	76	M16 M20 M20
F - 150400		400	260	140	210	22	8.5			M20
F - 140300	M	300 350 400	170 225 260	140	210	26	14	16	77	M24
F - 160300	M	300 350	170 225	140	210	26	14	19	87	M24
F - 190400		400	260							
F - 200350	M	350 400	200 260	180	250	26	14	19	88.5	M24
F - 230450		450	290							
F - 250350	M	350 450	200 260	180	250	26	14	22	97	M24
F - 290500		500	290							

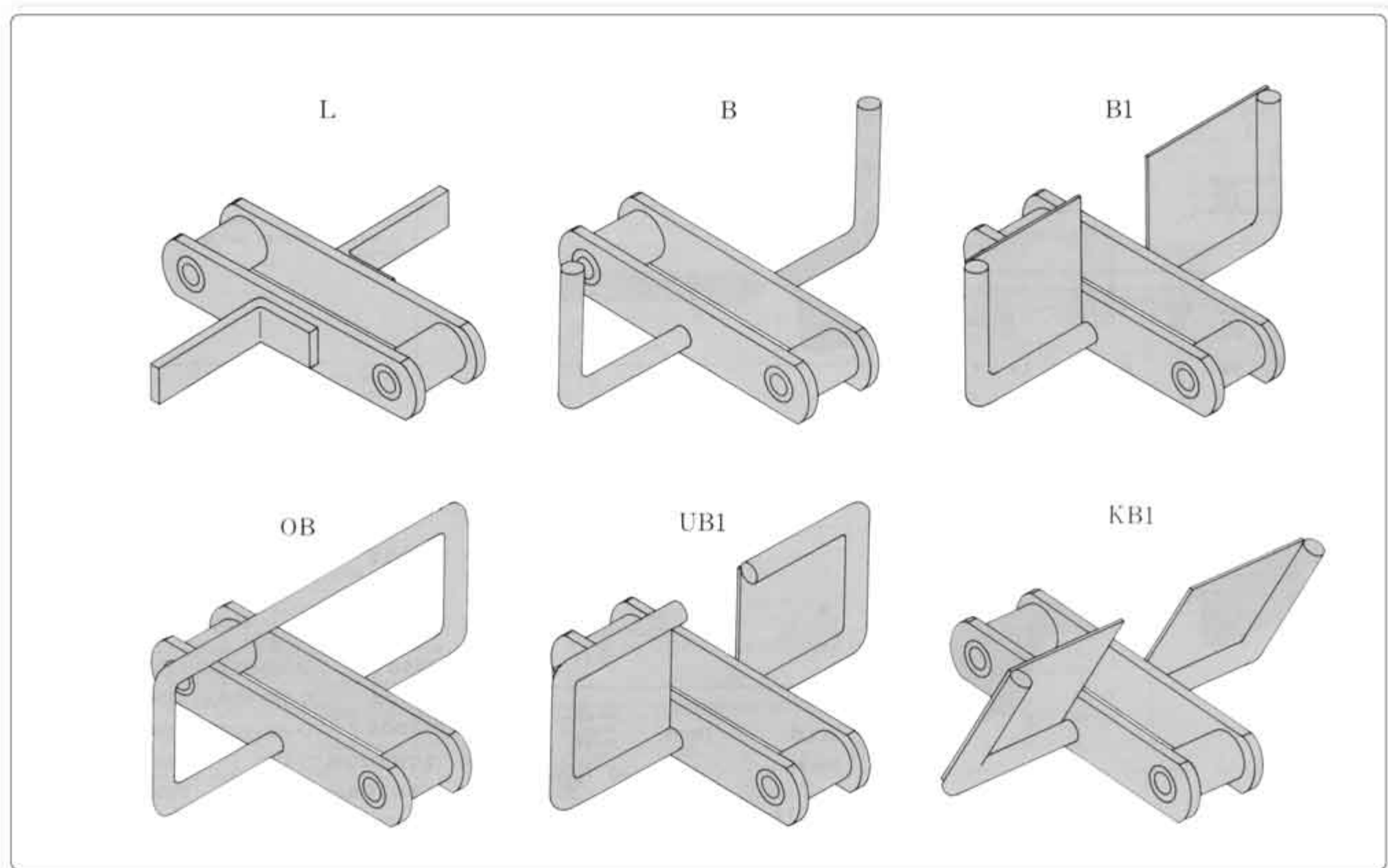
* = THE ATTACHMENT MADE OF L SHAPE STEEL



CONTINUOUS FLOW CONVEYOR CHAIN



Type of attachment	Shape	Application
L		Conveyance of grains such as wheat or powdered materials such as cement
KL		Conveyance of highly adhesive powdered materials
B		Conveyance of powdered materials such as cement with a higher efficiency than with the attachment L.



FLAT TOP
CONVEYOR

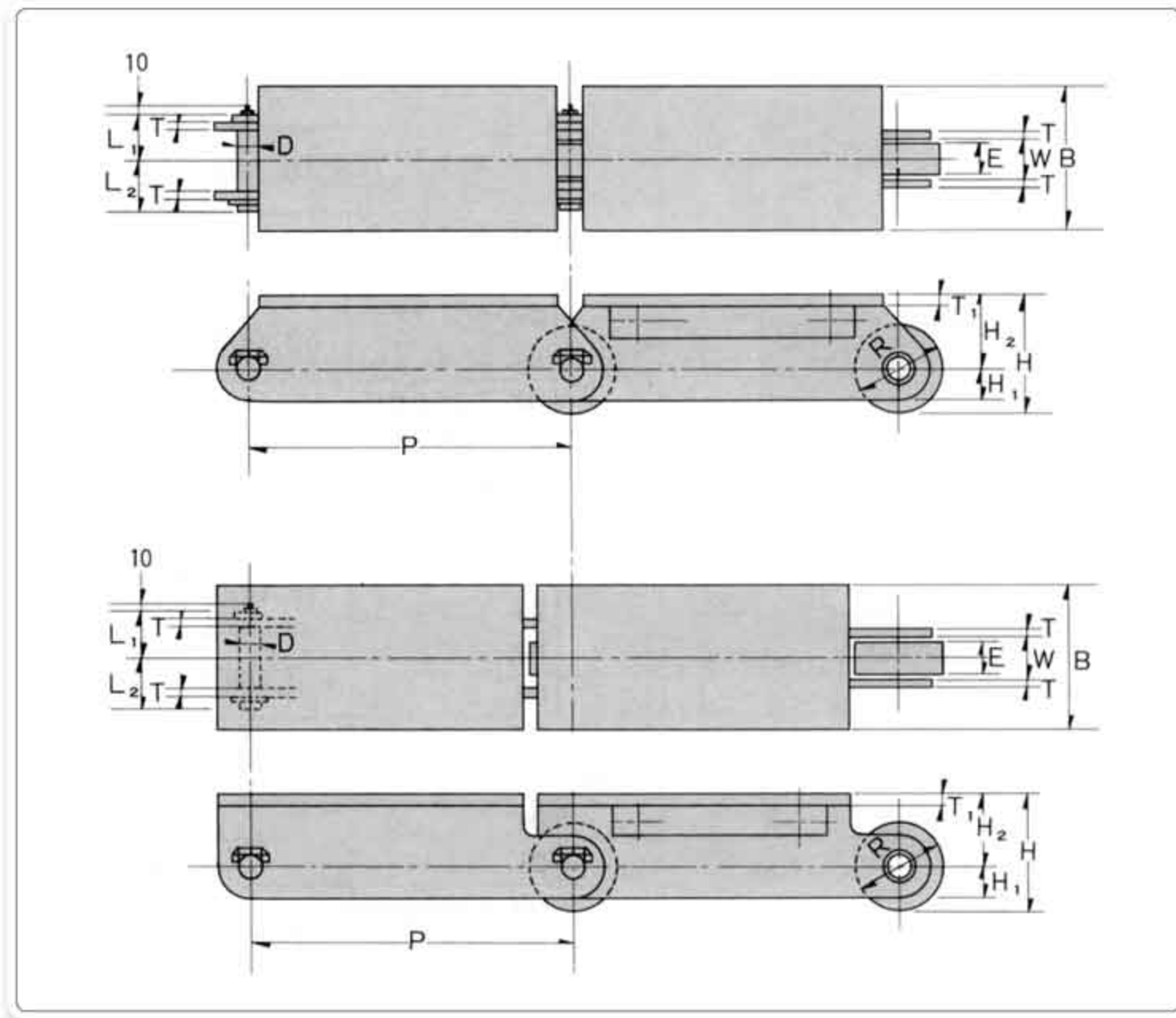
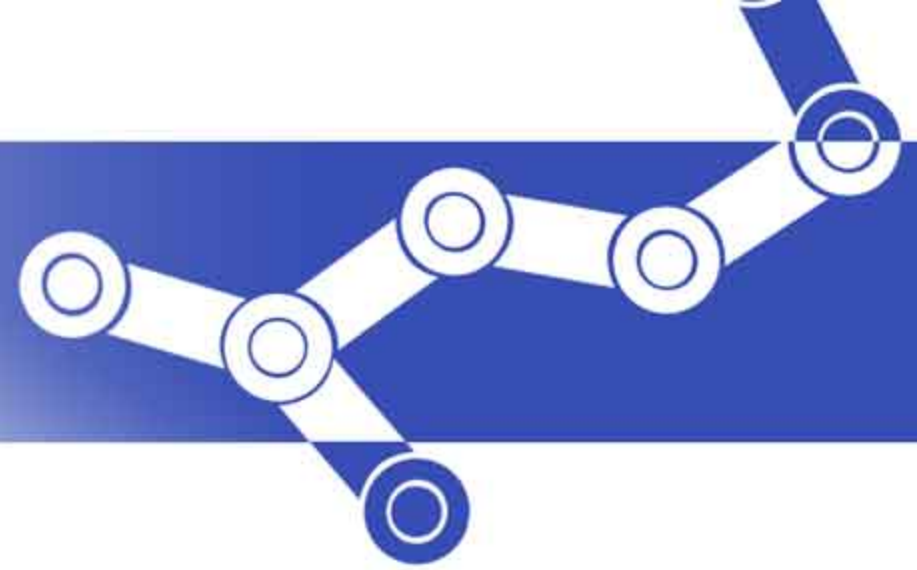
CONTINUOUS FLOW
CONVEYOR

FSCM

POWER TRANSMISSION
& CONVEYOR CHAIN MAKER

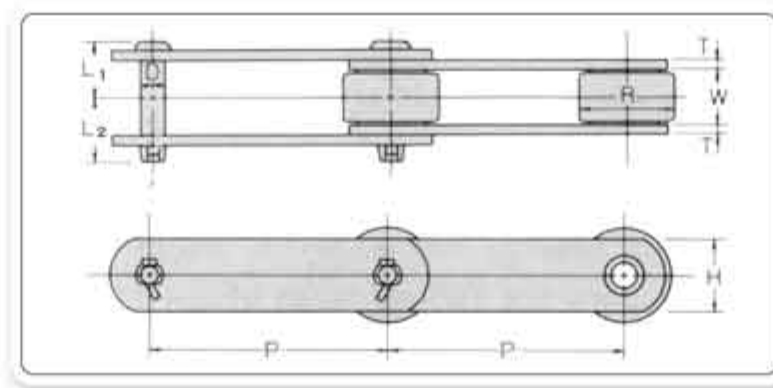
SUGAR MILL CHAIN
PALM OIL CHAIN

FLAT TOP COIL CONVEYOR CHAIN



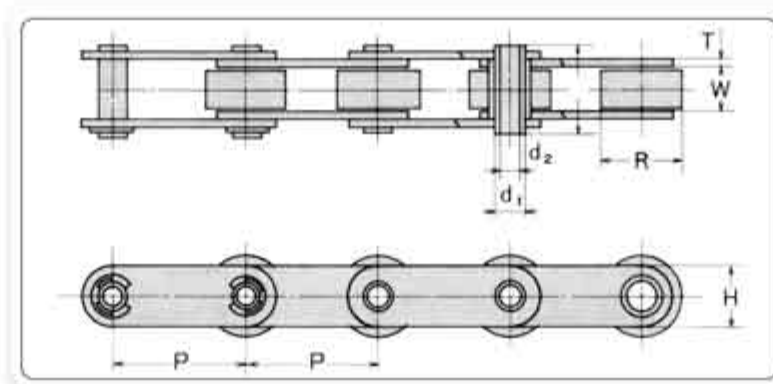
FSCM CHAIN NO.	TENSILE STRENGTH (kgf)	BEARING RATED LOAD		PITCH P (mm)	CHAIN WIDTH W (mm)	ROLLER		PIN LENGTH L1+L2 (mm)	THICKNESS T (mm)	LINK PLATE		TOP PLATE		
		DYNAMIC (kgf)	STATIONARY (kgf)			OD D (mm)	OD R (mm)			HEIGHT H (mm)	BOLT POSITION		T1 (mm)	B (mm)
											H1 (mm)	H2 (mm)		
FT - 60300	60,000	16,200	13,600	300 400 500	60	125	28	137	12	154.5	45	92	12	180
FT - 90300	90,000	20,900	16,800	300	62	135 400	30	156	16	177.5	56	110	16	190
FT - 90500P		24,800	23,800	500	78	135	30	172	16	177.5	56	110	16	210
FT - 130300	130,000	28,400	25,100	300 400 500 600	76	150	38.5	187	19	188	63	113	16	210
FT - 160400	160,000	31,000	35,000	400 500 600	85	175	41.5	198	19	221.5	75	134	19	220

PALM OIL CHAIN



SOLID BEARING PIN

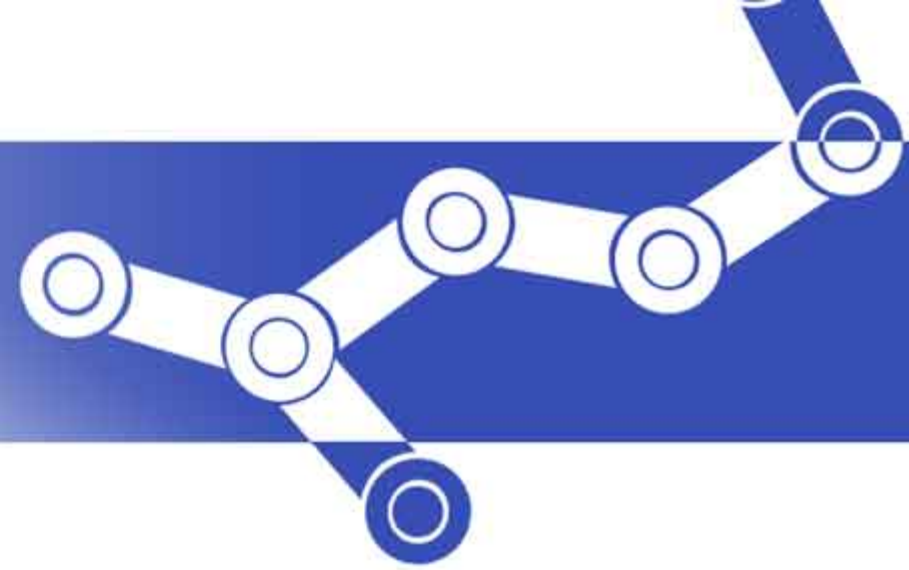
FSCM CHAIN NO.	TENSILE STRENGTH	PITCH	WIDTH	ROLLER	PIN		LINK PLATE	
					D	L1+L2	T	H
	(kgf)	(mm)	(mm)	(mm)	(mm)	(mm)	(mm)	(mm)
FP - 07101	15,000	101.6	19.0	47.6	19.0	46.5	5.0	40.0
FP - 11101	24,000	101.6	25.4	66.7	27.0	65.0	5.0	40.0
FP - 13101	30,000	101.6	25.4	66.7	27.0	65.0	5.0	40.0
FP - 07152	15,000	152.4	19.0	47.6	17.8	46.5	6.0	50.0
FP - 11152	24,000	152.4	25.4	66.7	27.0	65.0	6.0	50.0
FP - 13152	30,000	152.4	25.4	66.7	27.0	65.0	6.0	50.0



HOLLOW BEARING PIN

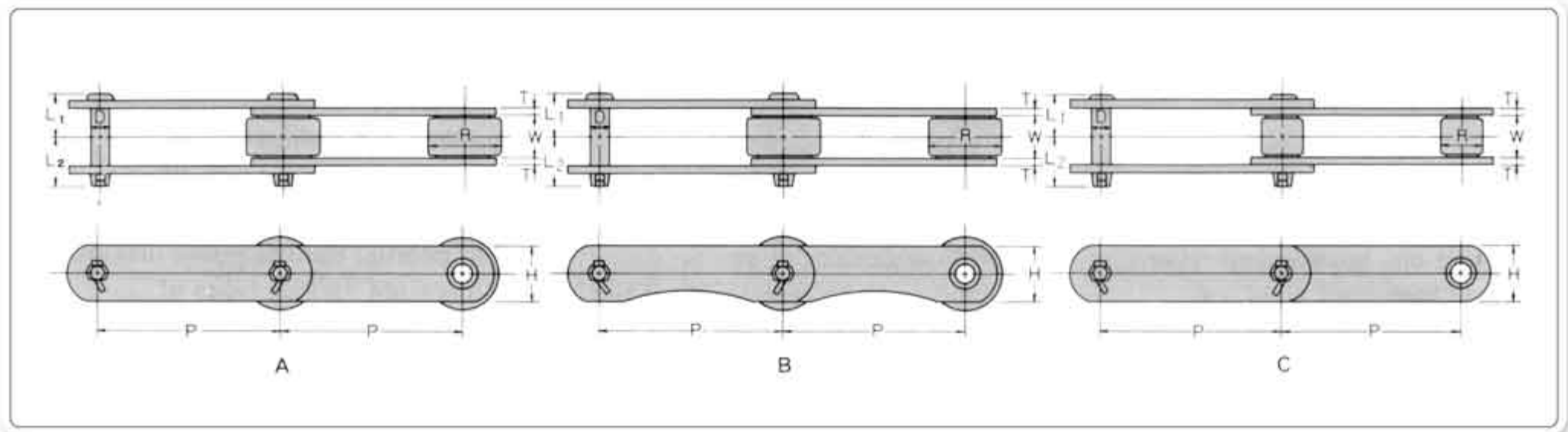
FSCM CHAIN NO.	TENSILE STRENGTH	PITCH	WIDTH	ROLLER	PIN		LINK PLATE	
					d1	d2	T	H
	(kgf)	(mm)	(mm)	(mm)	(mm)	(mm)	(mm)	(mm)
FPO - 15101	15,000	101.6	19.0	47.6	19.0	13.3	5.0	40.0
FPO - 30101	30,000	101.6	25.4	66.7	27.0	19.5	5.0	40.0
FPO - 24152	24,000	152.4	25.4	66.7	27.0	19.5	6.0	50.0
FPO - 30152	30,000	152.4	25.4	66.7	27.0	19.5	6.0	50.0

SUGAR MILL CHAIN



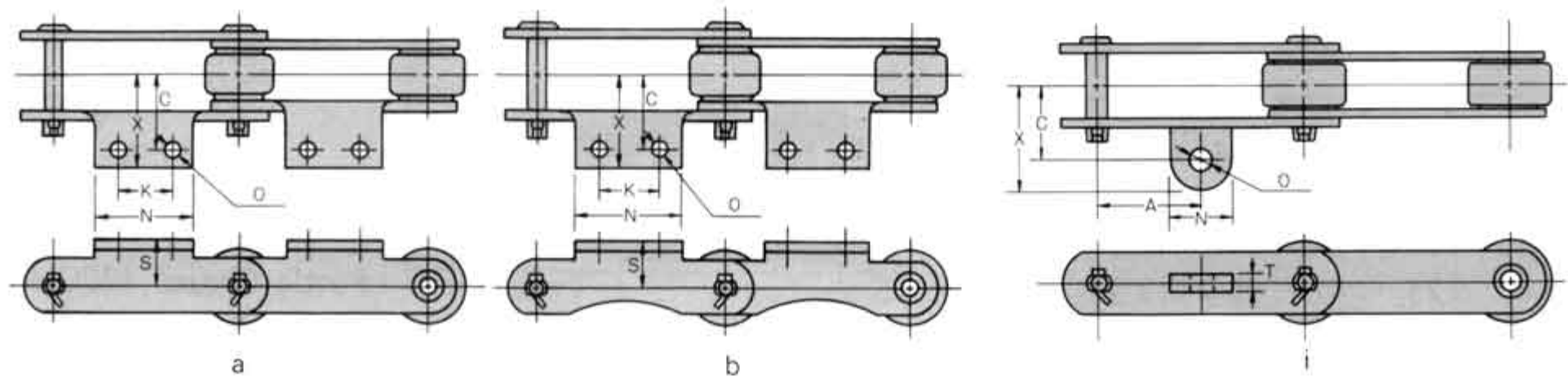
SUGAR STANDARD TYPE CHAIN

"THIS TYPE CHAIN IS SPECIFICALLY DESIGNED FOR SUGAR MILL SUCH AS CANE CARRIER, CANE "ELEVATOR, CANE FEEDER AND BAGAGE CARRIER."



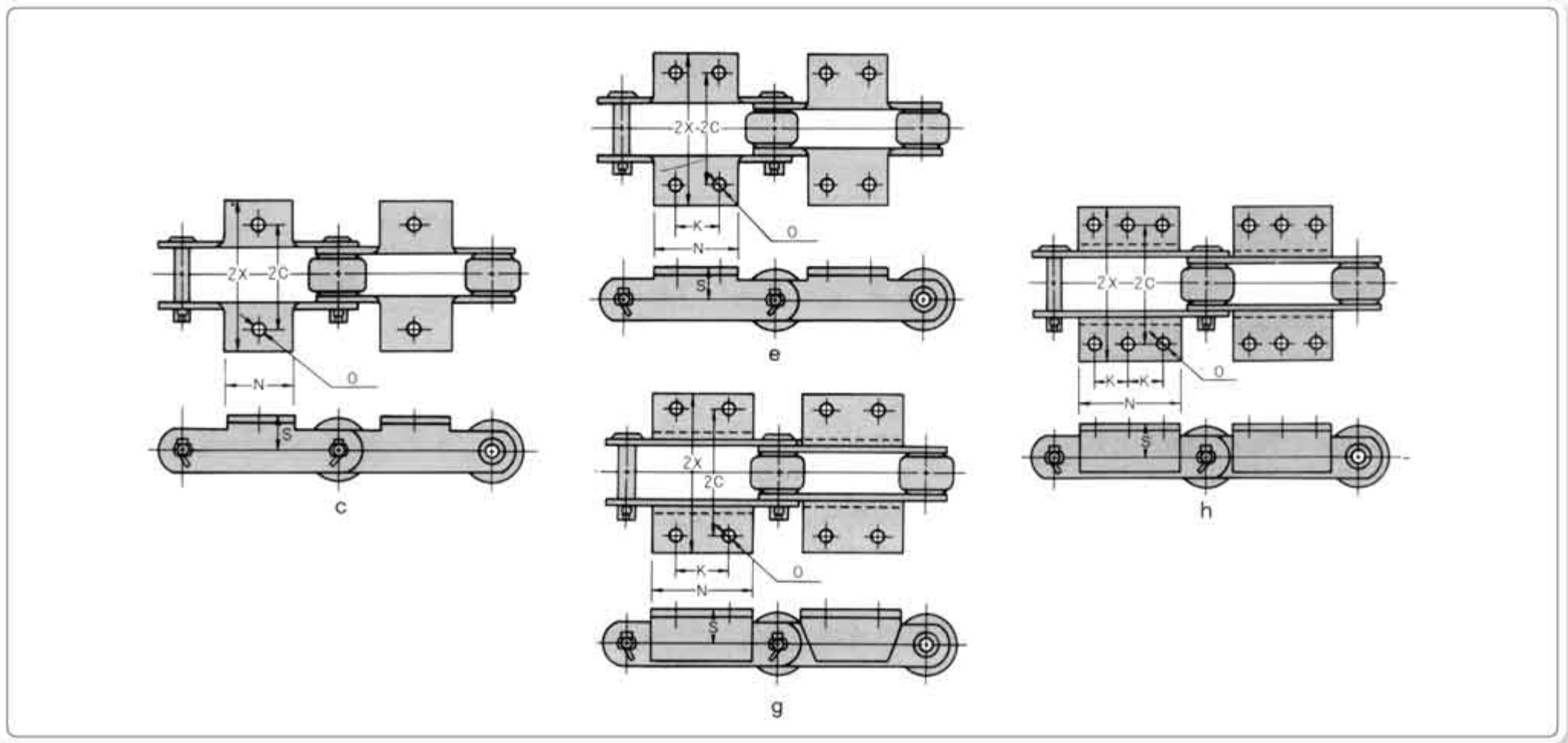
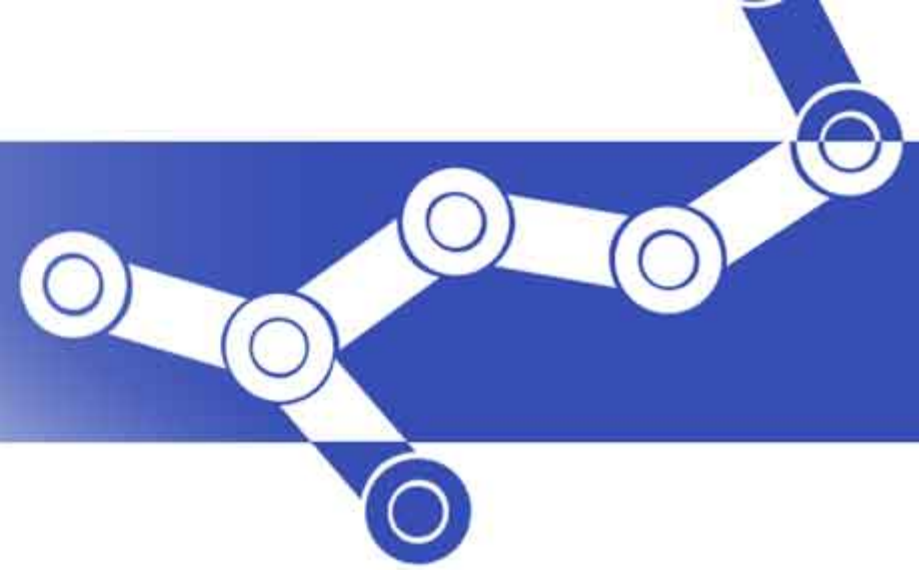
FSCM CHAIN NO.	ROLLER TYPE	TENSILE STRENGTH (kgf)	PITCH P (mm)	WIDTH W (mm)	ROLLER OD R (mm)	PIN		LINK PLATE	
						OD D (mm)	LENGTH L1+L2 (mm)	THICKNESS T (mm)	HEIGHT H (mm)
F - 08101	R	8,000	101.6	27.6	44.5	11.3	65.1	6	28.6
F - 2188	R	15,500	101.6	33.9	44.5	15.9	90.1	8	41.3
F - 19152	R	19,000	152.4	36.5	57.2	15.9	87.5	8	45
F - 0906	R	23,000	152.4	37.5	69.9	19.1	98.5	9	50
F - 09060	R	36,000	152.4	36.5	69.9	19.1	98.5	9.5	50.8
F - 09061	R	39,000	152.4	36.5	69.9	19.1	98.5	9.5	57.2
F - 2178	R	45,500	152.4	40	69.9	22.2	101.1	9.5	57.2
F - 2315	R	32,000	228.6	44	76.2	22.2	106	9	65
F - 228	R	75,000	228.6	60	107	31.75	157.4	16	90
F - 304	R	82,000	304.8	65	145	35	164	16	100
F - 60018	R	63,500	457.2	78.4	140	35	160.7	12	100
F - 19152	S	19,000	152.4	36.5	34.9	15.9	87.5	8	45

SUGAR MILL CHAIN



FSCM CHAIN NO.	PITCH P (mm)	TYPE	ATTACHMENT							
			S (mm)	C (mm)	X (mm)	N (mm)	K (mm)	T (mm)	O (mm)	
F - 08101	R	101.6	A-2	28	50	80	70	40		12
F - 2188	R	101.6		25.4	46	72.7	75	44.5		14
F - 19152	R	152.4		38	60	107	100	60		15
F - 0906	R	152.4		41.5	55.6	77	110	110		13
F - 09060	R	152.4		41.5	55.6	77	110	110		13
F - 09061	R	152.4		41.5	55.6	84	110	110		13
F - 2178	R	152.4		41.5	55.6	85	110	110		14
F - 2315	R	228.6		45	76.6	106.5	178	105		15
F - 228	R	228.6		55	102.5	137.5	140	76		18
F - 304	R	304.8		90	102.5	122.5	155	100		18
F - 2188	R	101.6	A-42	50.8	55.6	73.8	31.8		10.3	16.7
F - 0906	R	152.4		76.2	66.7	90	40		16	16.7
F - 09060	R	152.4		76.2	66.7	90	40		16	16.7
F - 09061	R	152.4		76.2	66.7	90	40		16	16.7

SUGAR MILL CHAIN

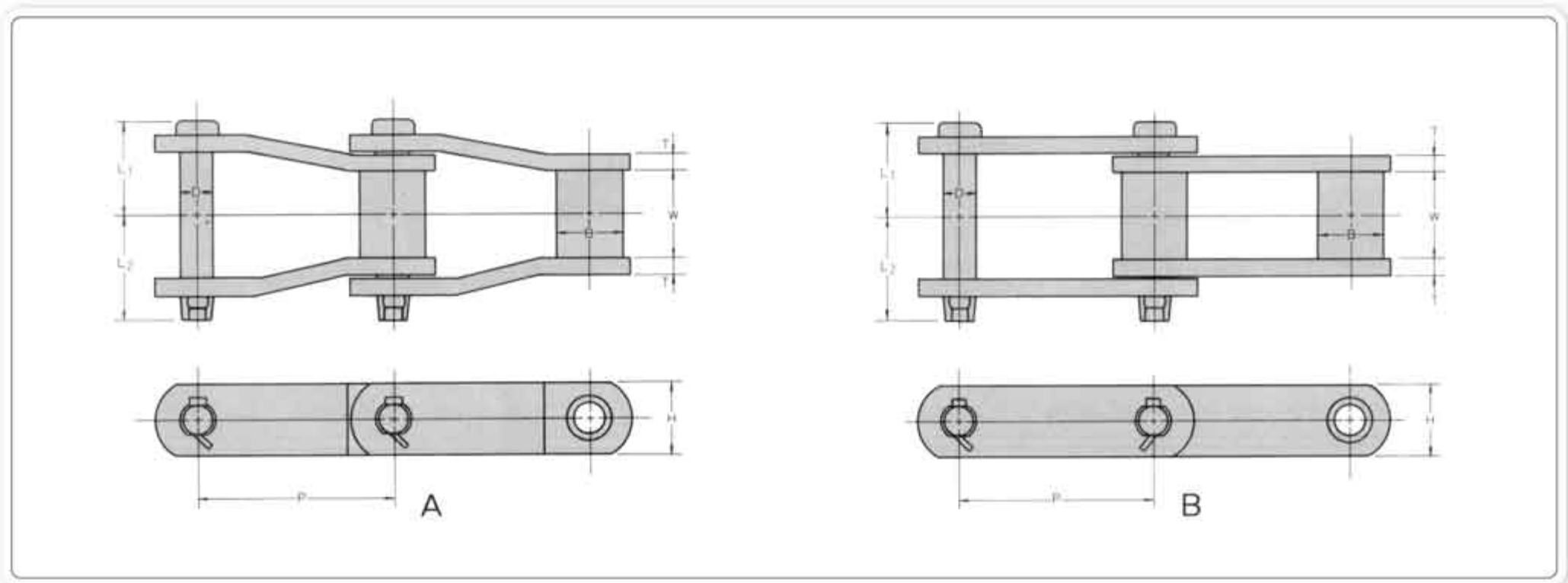


FSCM CHAIN NO.	PITCH P (mm)	TYPE	ATTACHMENT					
			S (mm)	C (mm)	X (mm)	N (mm)	K (mm)	O (mm)
F - 2188 R	101.6	K-1	25.4	46	73	50.8		14
F - 0906 R	152.4		41.5	55.6	77	80		13
F - 09060 R	152.4		41.5	55.6	77	80		13
F - 09061 R	152.4		41.5	55.6	77	80		13
F - 08101 R	101.6	K-2	28	50	80	70	40	12
F - 2188 R	101.6		25.4	46	72.7	75	44.5	14
F - 19152 R	152.4		38	60	107	100	60	15
F - 0906 R	152.4		41.5	55.6	77	110	76.2	13
F - 09060 R	152.4		41.5	55.6	77	110	76.2	13
F - 09061 R	152.4		41.5	55.6	84	120	76.2	13
F - 2178 R	152.4		41.5	55.6	85	110	76.2	14
F - 2315 R	228.6		45	76.6	106.5	178	105	15
F - 228 R	228.6	55	102.5	137.5	140	76	18	
F - 304 R	304.8	90	102.5	122.5	155	100	18	
F - 60018 R	457.2	K-3	90	115	165	260	100	24

SUGAR MILL CHAIN

ROLLER LESS STEEL BUSH TYPE CHAIN

"IT IS MAINLY USED FOR CANE FEEDER, JUICE STRAINER AND SUGAR ELEVATOR"



FSCM CHAIN NO.	TENSILE STRENGTH (kgf)	PITCH P (mm)	WIDTH W (mm)	BUSHING DIA B (mm)	PIN		LINK PLATE	
					OD D (mm)	LENGTH L1+12 (mm)	THICKNESS T (mm)	HEIGHT H (mm)
					FSO - 234	8,000	66.27	27.6
FSO - 488	8,000	66.27	28.6	22.58	11.1	67.3	6	28.6
FSO - 4103	16,500	78.11	31.8	31.8	19.1	85.5	8	45
FSO - 0340	19,000	101.6	41.3	36.5	15.9	92.3	8	45
FS - 0340	28,500	101.6	41.3	36.5	15.9	92.3	8	45
FSO - 124	16,500	101.6	54	36.5	19.1	109.5	8	45
FSO - 5102	18,000	101.6	54	25.4	15.9	111	9	41.3
FSO - 5110	18,000	152.4	54	31.8	15.9	111	9	41.3
FSO - 5111	23,000	120.9	66.8	36.5	19.1	126.4	9	50

